

# GOLDBERG BROTHERS, INC.

## Hidden Series - Double Roller - Installation Instructions

### Included Hardware

Hidden hanger (2)  
Felt Pads (1)

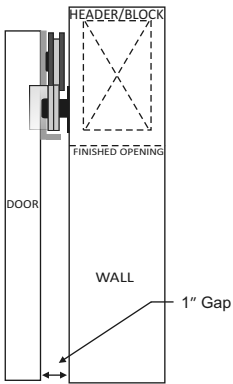
Hidden hanger screws (8)  
T-guide (1)

Washers (6)  
T-guide screws (2)

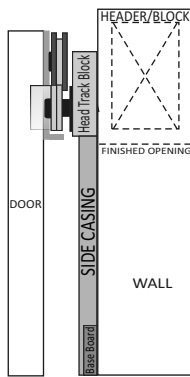
$\frac{3}{8}$ " Spacers (6)  
Hex lag bolts (2)

Track stops (2)

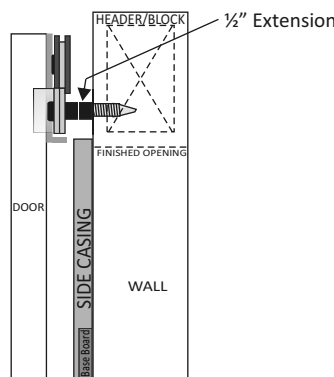
### Basic Installation Layouts



Standard Hardware Pack installed with no casing, base, or other trim.



Standard Hardware Pack installed on track trim board that is equal or thicker than casing, base, or other trim.



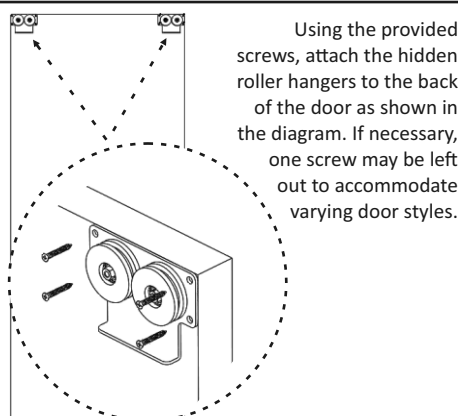
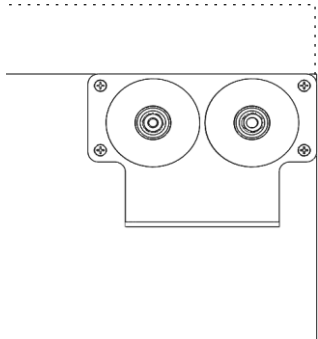
Standard hardware with  $\frac{1}{2}$ " extension kit installed where casing, base, or other trim is up to  $\frac{3}{8}$ " thick.

### IMPORTANT:

**Door must be a minimum of 4 inches taller than the finished opening.**

### Hanger Installation

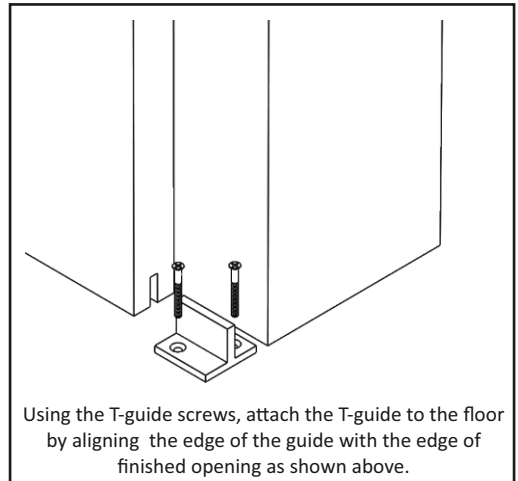
Hidden roller hangers should be installed flush with the outer edges of the door as shown. Hangers may be installed at a lower height based on desired install scenarios.



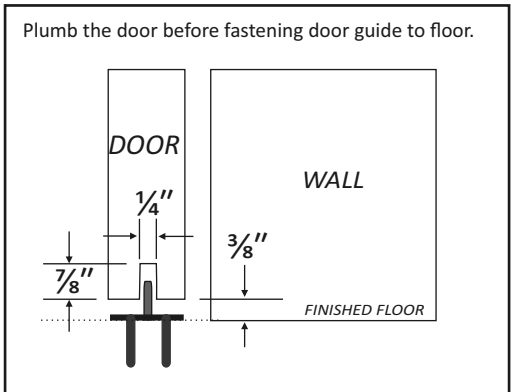
Using the provided screws, attach the hidden roller hangers to the back of the door as shown in the diagram. If necessary, one screw may be left out to accommodate varying door styles.

**IMPORTANT: Make sure all attached screws are securely fastened.**

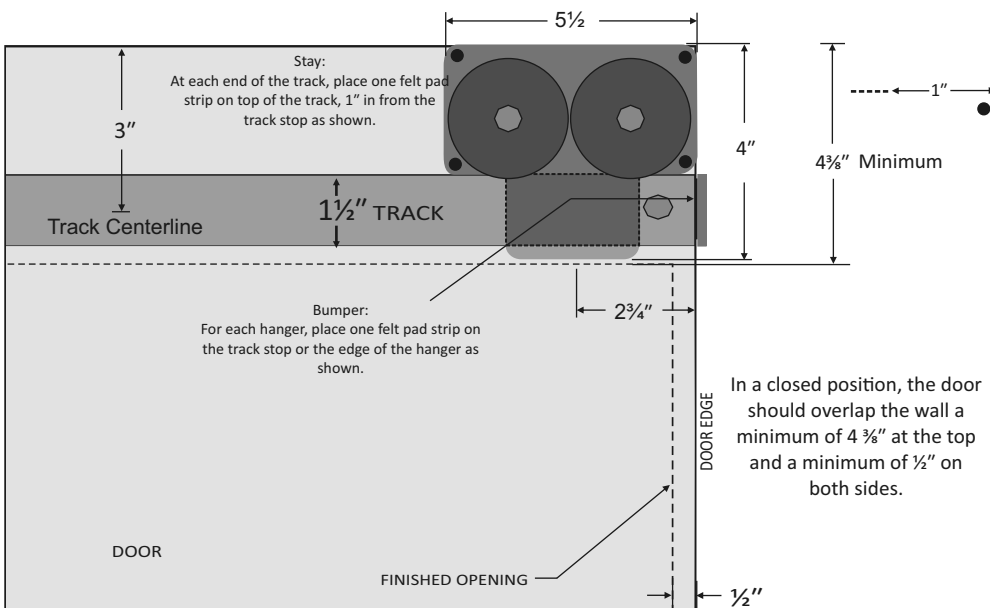
### T-guide Installation



Using the T-guide screws, attach the T-guide to the floor by aligning the edge of the guide with the edge of finished opening as shown above.



Plumb the door before fastening door guide to floor.



Goldberg Brothers barn door track and hardware sets come with a one-year manufacturer's warranty for defective parts under normal installation and use. Warranty is subject to repair or replacement of defective components at manufacturer's discretion and does not include installation costs.

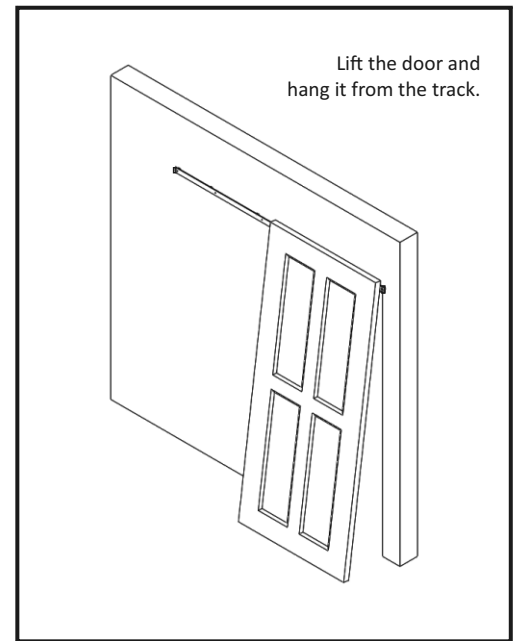
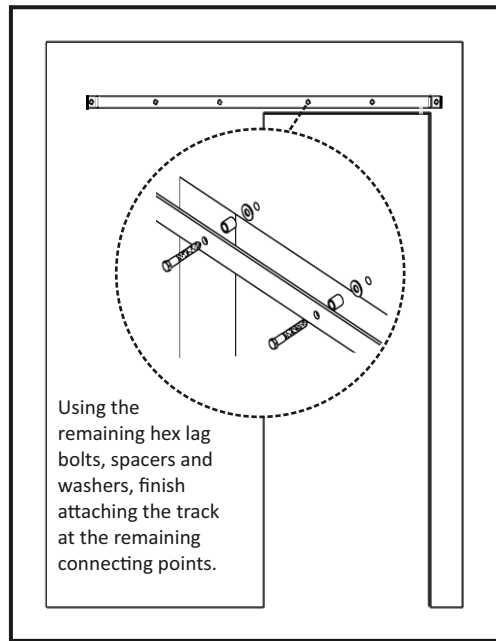
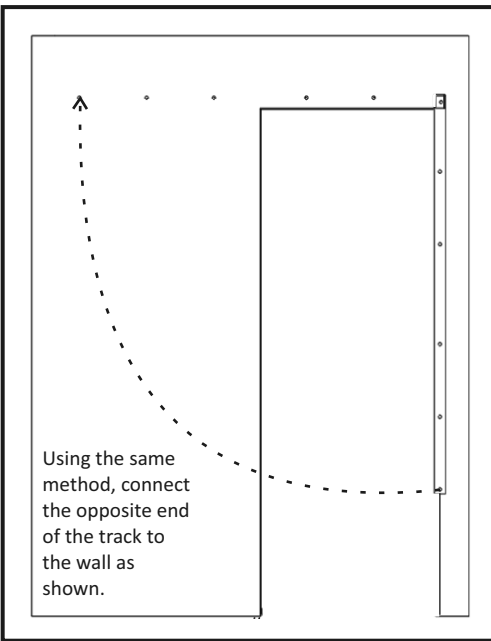
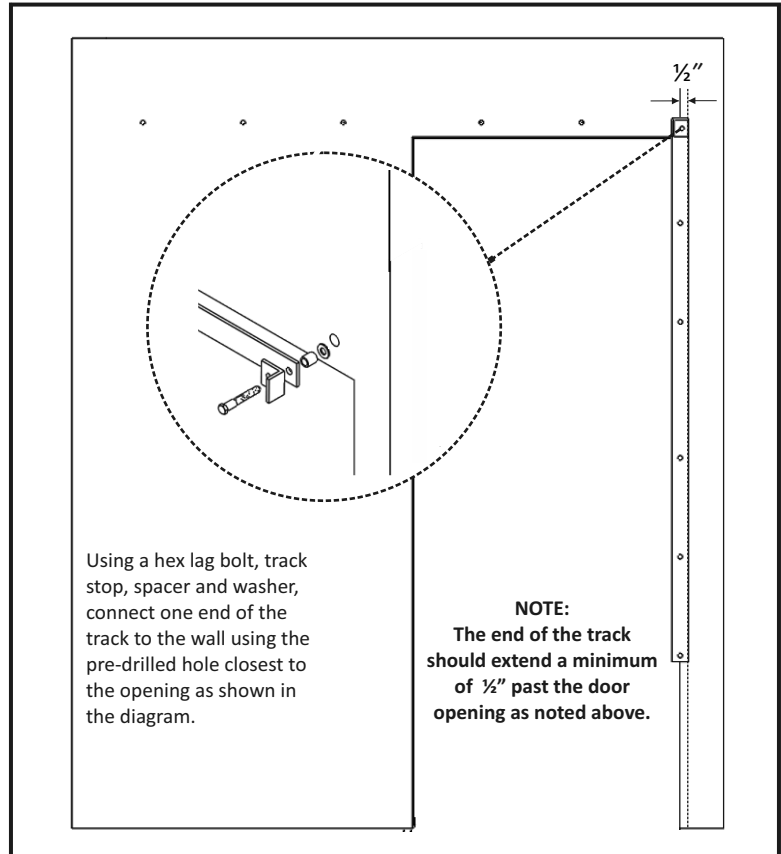
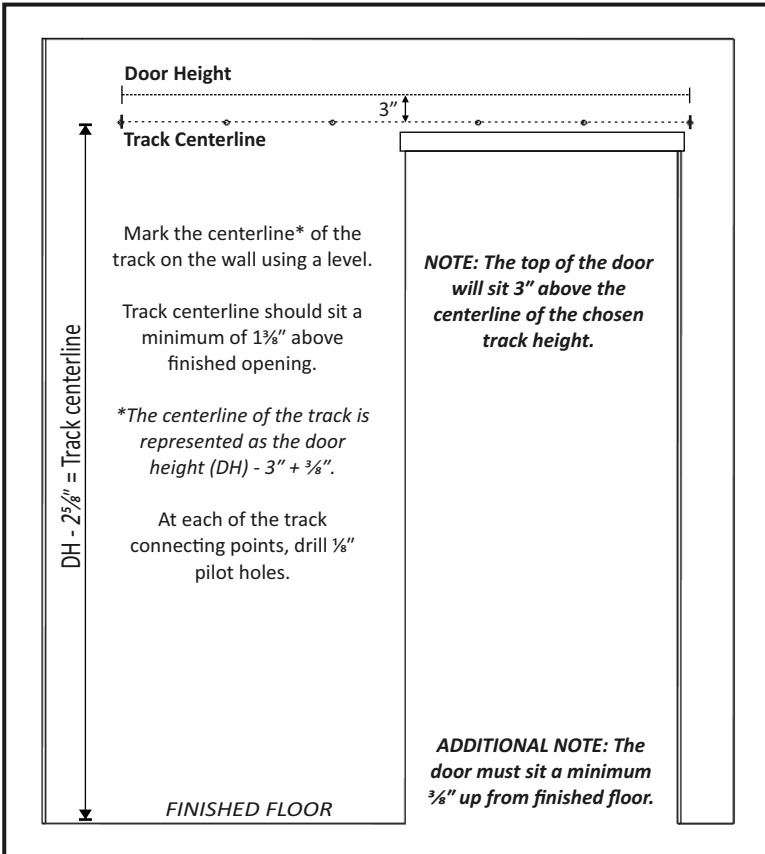
Goldberg Brothers does not warrant the loss of finish at points where roller is in contact with track. Goldberg Barn Track is sold as a rustic finished hardware and Goldberg does not warrant the imperfections seen through the finish in the steel parts. It is part of the look.

With the exception of our stainless steel products, Goldberg Brothers does not warrant any products installed and used outdoors or where they are exposed to weather, running water or water condensation. Under these conditions, rust and other damage will naturally occur.

This warranty does not include loss of defects caused by elements outside the control of Goldberg Brothers, Inc., such as natural disasters, weather, fire, water leakage, abuse, improper installation, or anything else deemed out of the control of Goldberg Brothers, Inc.

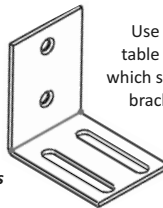
**NOTE: For bi-parting doors some adjustments may be necessary.**

# Track Installation



## Optional Accessories

Sidewall Guide Bracket 1 each  
Includes 1 bracket, 4 machine screws, 4 nuts and 1 felt pad  
Part #6001SW-\*  
6001SWE-\*  
6001SWEX-\*

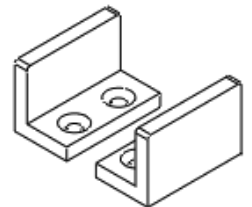


Use the following table to determine which sidewall guide bracket should be used.

Door to Wall Gap	DOOR THICKNESS RANGES		
3/4" Gap	1 3/8" - 1 3/4"	1 3/8" - 2 1/4"	1 3/8" - 2 3/8"
1" Gap	3/4" - 1 1/4"	1 3/8" - 1 3/4"	1 3/8" - 2 3/8"
	Use SW Guide Bracket	Use SWE Guide Bracket	Use SWEX Guide Bracket

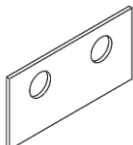
**NOTE: Use the provided T-guide screws for sidewall guide installation.**

Door Guide "U"  
1 set  
Includes 2 "U" guides, 2 wood screws and 1 felt pad  
Part #6001U-\*



**NOTE: Use the provided T-guide screws for U-guide installation.**

Track Connecting Plate  
1 each  
Part #6008C-\*



Wall Extension Bolts Set  
Includes 6 lag bolts and 6 wall spacers  
6010E-\*



Goldberg Brothers, Inc.  
10488 W Centennial Rd, Suite 100  
Littleton, CO 80127  
(303) 321-1099

\* Indicates that the related part is available in various colors.