

GOLDBERG BROTHERS, INC.

Privacy Latch - Installation Instructions

Included Hardware

Privacy latch & mount (1)

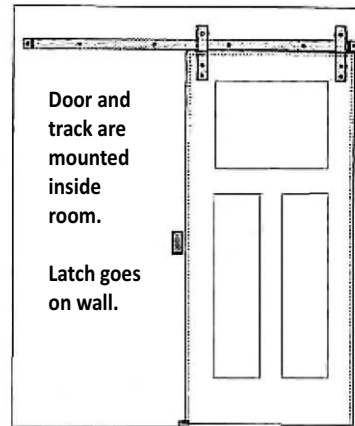
Dust box (1)

Strike plate (1)

Wood screws (4)

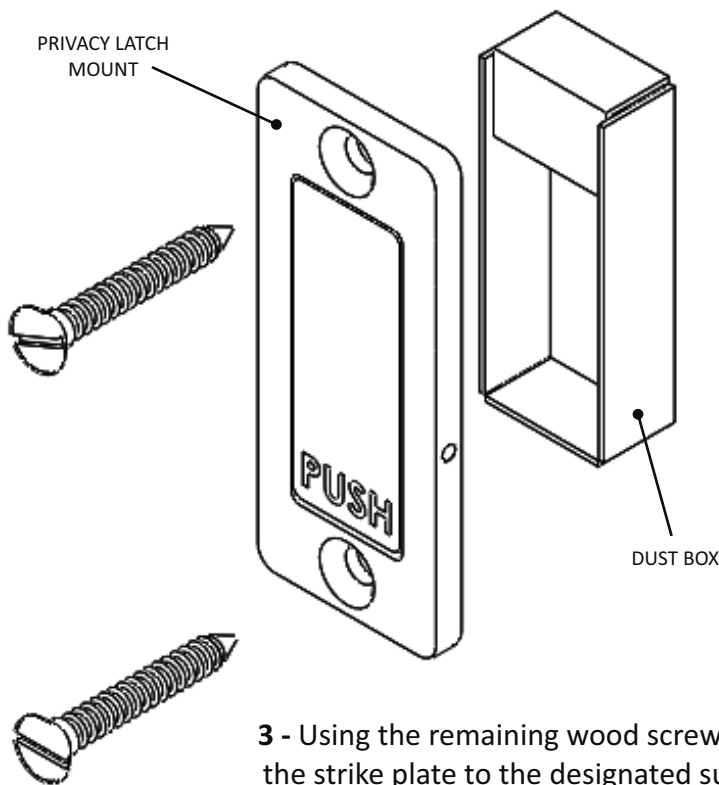
Install Scenarios

When door and track are mounted to the wall on the outside of the room, the dust box and latch mount in the door stile, and the strike plate mounts on the face of the door jam.



When the door and track are mounted to the wall on the inside of the room, the dust box and latch mount in the wall, and the strike plate mounts on the edge of the door.

*Images show view from inside room.

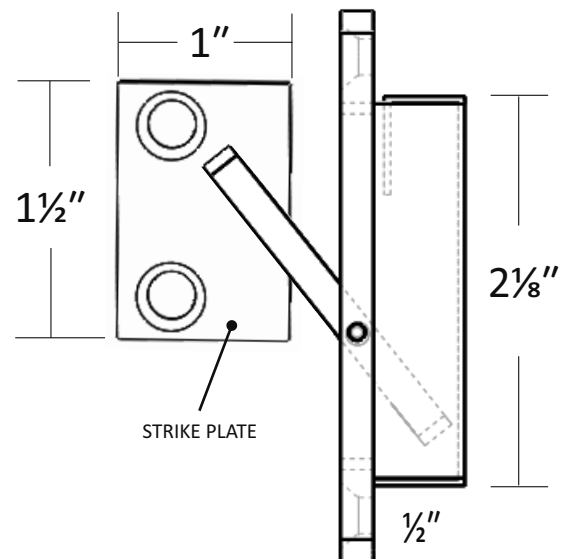


1 - Create a mortise for the dust box with the following dimensions:

$\frac{7}{8}$ " W x $2\frac{1}{8}$ " H x $\frac{1}{2}$ " D

Proceed to insert the dust box in to the newly created mortise.

2 - Place the privacy latch mount over the dust box and use the provided wood screws attach to the door or wall.



3 - Using the remaining wood screws, attach the strike plate to the designated surface so that it is positioned as shown.

- TO LOCK -

Slide the door closed and push on the bottom of the latch so that it rotates out to the locked position as shown.

