



GOLDBERG BROTHERS

ALUMINUM AWNINGS



You've got it made in the shade with modular aluminum awnings by Goldberg Brothers.

You can order and install aluminum awnings by Goldberg Brothers in a fraction of the time and at a lower cost than most custom-welded awnings. Our Hangover and Bahama awnings are made to order from modular components in a wide range of standard sizes, slat configurations, and colors. Awning components can also be used as privacy panels, fencing, or pergola coverings. And they are easy to assemble in minutes.

- Heavy-duty aluminum and steel components - no plastic parts
- Panels are laser-cut 2" square aluminum tubes with 1/8" thick walls
- Round support rods are 1" diameter stainless steel
- Heavy-duty steel brackets
- Sturdy and weather-resistant nuts, bolts, and washers
- 50 lb per square foot snow load tested
- Four available slat configurations
- 11 widths from 12" to 42" (in 3" increments)
- Reversible panels to change the direction of louvered slats
- Multiple panels can be joined for custom installations
- Outdoor-rated powder-coat finish in 8 colors
- Professional installation recommended



with optional 5 1/2" fascia

with optional 3 1/2" fascia

< HANGOVER AWNING

- Mounts at a 90-degree angle to the building
- 18", 24", or 30" long (from building to outer edge of panel)
- Optional 3 1/2" or 5 1/2" fascia extensions (sold separately)



BAHAMA AWNING >

- Mounts at a 60-degree angle, adjustable by the position of the round support rods
- Add extra wall mounts for easy seasonal adjustment of the angle, or to lock the awning flat against the window or door
- 18", 24", 30", 36", or 42" long (from building to outer edge of panel)
- These products are not hurricane rated

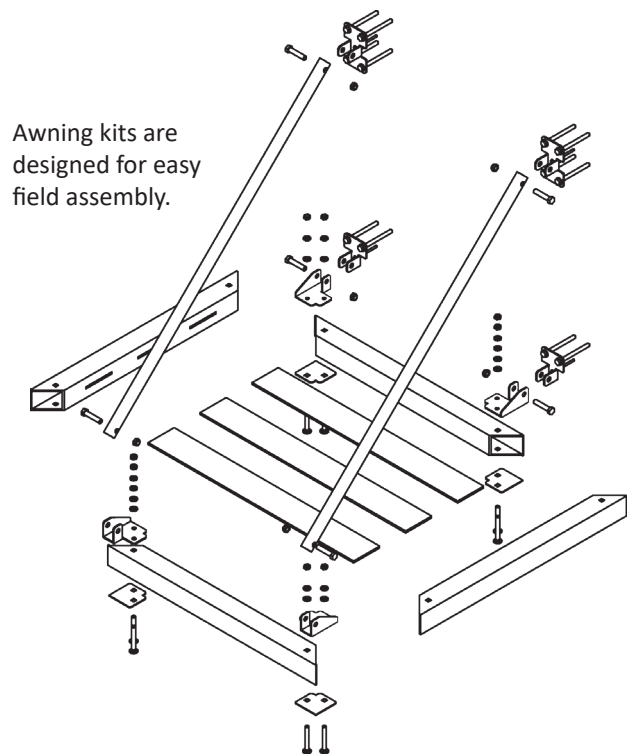
USE THE WORKSHEET ON THE NEXT PAGE TO GET A CUSTOM QUOTE.

GOLDBERG BROTHERS ALUMINUM AWNINGS

Complete the worksheet below for each awning you need, then take it or email it to your local Goldberg Brothers retail dealer. They will recommend the best combination of awning kits and accessories, and provide an estimate of the total cost. If you need more than one size, color, or style of awning, photocopy this page or scan the QR code in the bottom right corner to download and print additional copies. This worksheet is for planning purposes only. It is not an order form. Visit our website to find a retail dealer near you.

We recommend a total width a few inches wider than the window or door the awning will cover. Use the OTHER spaces to indicate sizes larger than the standard dimensions. Your dealer will recommend accessories for combining two or more smaller awnings to create the custom configuration you want. The maximum total length of a Hangover awning is 30 inches from the building to the outer edge of the panel.

Quantity: # _____	Awning Style: <input type="radio"/> Hangover <input type="radio"/> Bahama
Desired total width (inches):	<input type="radio"/> 12" <input type="radio"/> 15" <input type="radio"/> 18" <input type="radio"/> 21" <input type="radio"/> 24" <input type="radio"/> 27" <input type="radio"/> 30" <input type="radio"/> 33" <input type="radio"/> 36" <input type="radio"/> 39" <input type="radio"/> 42" <input type="radio"/> OTHER _____"
Desired total length (inches):	<input type="radio"/> 18" <input type="radio"/> 24" <input type="radio"/> 30" <input type="radio"/> 36" Bahama <input type="radio"/> 42" Bahama <input type="radio"/> OTHER Bahama _____"
Color code (see table below):	<input type="radio"/> PR <input type="radio"/> BS <input type="radio"/> BZ <input type="radio"/> SG <input type="radio"/> WT <input type="radio"/> GT <input type="radio"/> BT <input type="radio"/> RT
Slat style (see diagrams below):	<input type="radio"/> Open No Slats <input type="radio"/> Flat Slat Open <input type="radio"/> Flat Staggered Slats <input type="radio"/> Louver Slat



FOUR SLAT CONFIGURATIONS



OPEN NO SLATS (panel without slats, for adding your own cover material)



FLAT SLAT OPEN (half coverage)



FLAT STAGGERED SLATS (full coverage, alternating rows)



LOUVER SLAT (full coverage with 30-degree slant)

EIGHT POWDER-COAT COLORS

PRIMER ONLY	STANDARD COLORS			PREMIUM COLORS			
color code PR Gray Primer	color code BS Black Sand Texture	color code BZ Bronze Texture	color code SG Steel Gray Texture	color code WT White Texture	color code GT Green Texture	color code BT Blue Texture	color code RT Red Texture

601681 0323