

# GOLDBERG BROTHERS BARN DOOR HARDWARE

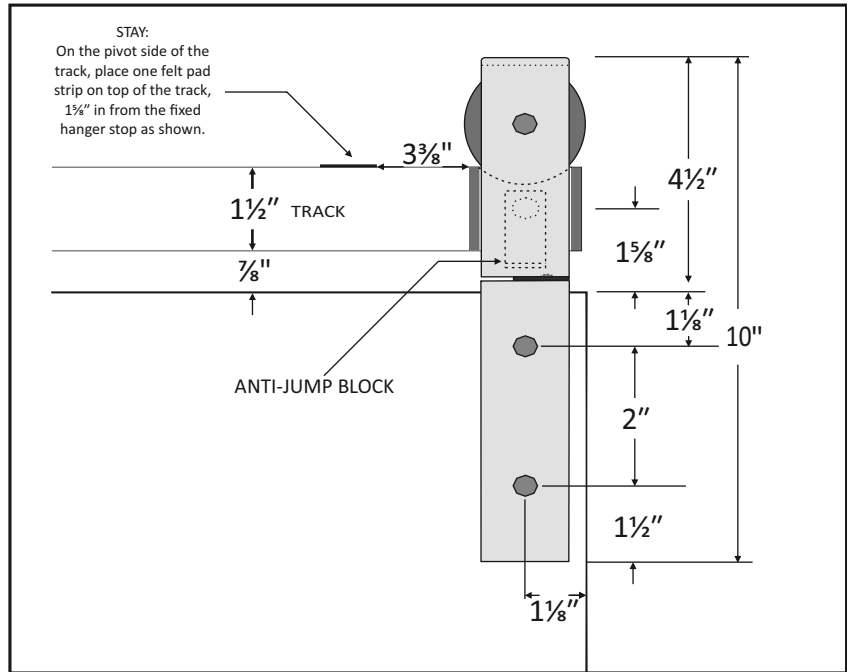
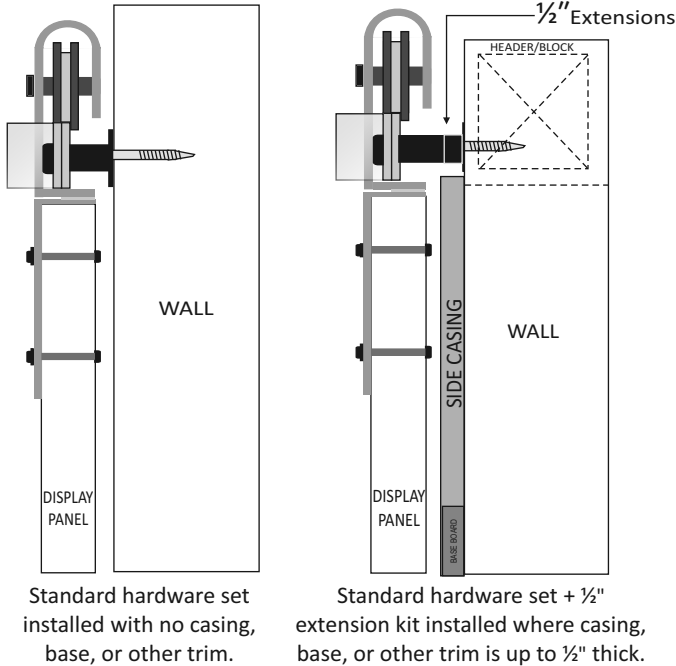
## Barnfold™ - Installation Instructions

6007M2D-\*, 6007M4D-\*

### Included Hardware

Barnfold™ hanger left (1)	Hex lag bolts (3)	Washers (3)	Anti-jump kit (1)	Felt pad (1)	Fixed hanger stop (1)
Barnfold™ hanger right (1)	Carriage bolts (4)	Keyp nuts (4)	4" Handle kit (1)	Clear bumper pads (6)	Adjustable hanger stop (1)
Sidewall pivot kit (1)	Hinge template (1)	½" Spacers (6)	Hinge kit (1)	1¼" Spacers(3)	Rubber bumper bands (1)

### Basic Installation Layouts



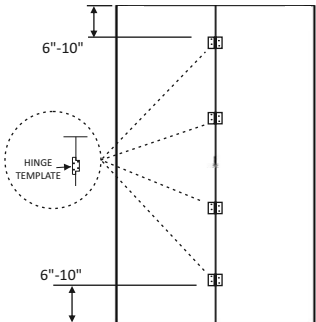
### Door Prep and Hanger Installation

#### STEP 1

Lay both panels front side down on a flat surface with inner edges flush through the middle and on top.

Place the provided hinge template between the panels as shown and drill ¼" pilot holes at each attachment point.

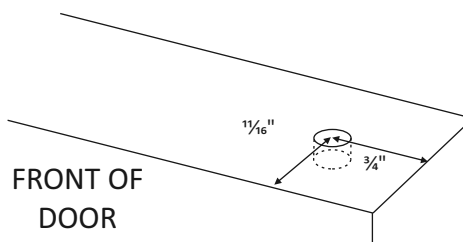
Attach the hinges using the provided hardware.



#### STEP 2

At the top of each panel, make a mark ⅜" in from the outside of the panel and ¼" in from the front of the panel.

Using a ⅜" drill bit, bore a hole ¼" deep. This is where the rivet will rest.



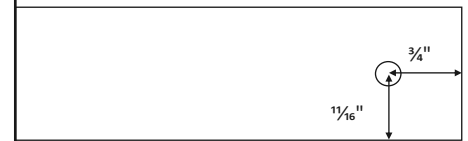
#### STEP 3

Determine which side of your door will be the non-sliding pivot side.

*[See the next page for more information]*

On the bottom of the pivot side panel, make a mark ⅜" in from the outside and ¼" from the front of the panel.

Using a ⅜" drill bit bore a hole 1" deep. This is where the sidewall pivot will be placed.

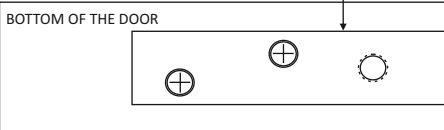


#### STEP 4

Using the provided screws, attach the pivot plate to the bottom of the door as shown, so that the ¼" hole is over the 1" deep hole drilled in the previous step.

**Note:** The pivot plate should be flush with the outer edge of the bottom of the door as shown.

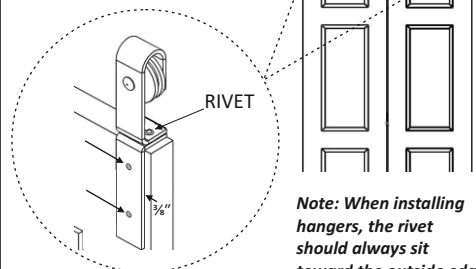
pivot plate



**Note:** The pivot plate can be recessed for added strength.

#### STEP 5

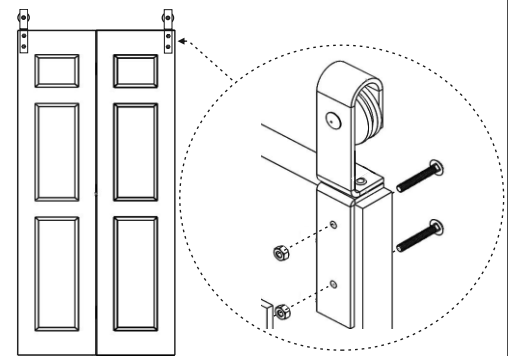
Place hangers on the front of each panel, ⅜" in from the outside edges as shown. Mark each attachment point (See step 3 for dimensions). At each point, drill ⅝" pilot hole followed by ¼" hole through the door.



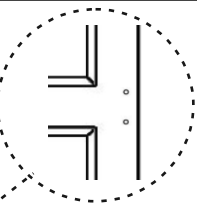
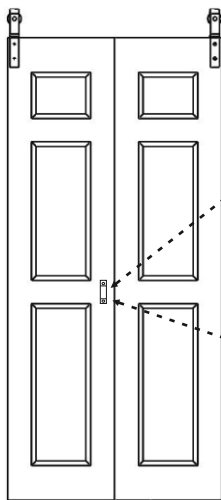
**Note:** When installing hangers, the rivet should always sit toward the outside edge of the panel as shown.

#### STEP 6

Using the provided carriage bolts and key nuts, attach the hangers to the door as shown. The edge of the hanger will sit ⅜" in from the edge of the door.

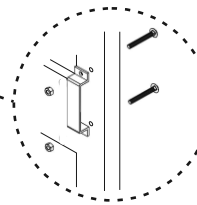


**STEP 7**



Using the provided handle, mark the two attachment points as shown.

At each point, drill 1/8" pilot holes followed by 1/4" holes through the door.



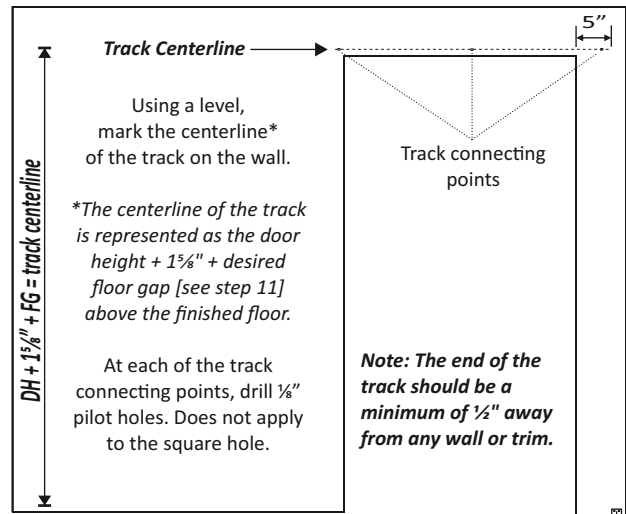
Attach the handle, using the provided kepinuts and carriage bolts as shown.

**IMPORTANT: The handle should be installed on the panel opposite of the pivot side.**

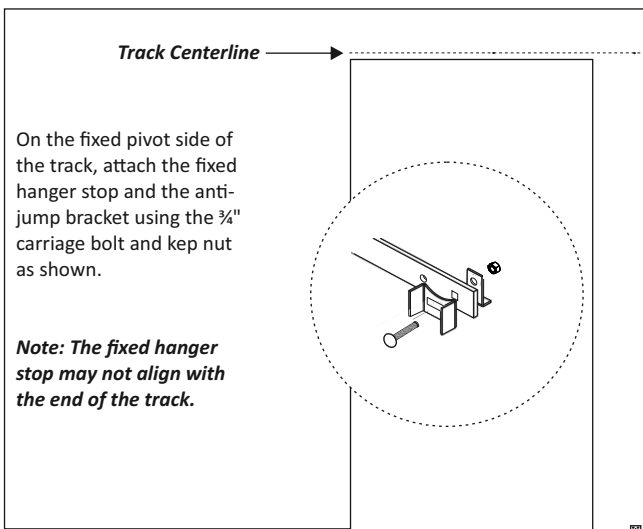
**Note: Attach the provided clear bumper pads in the seam of the door.**

**STEP 8**

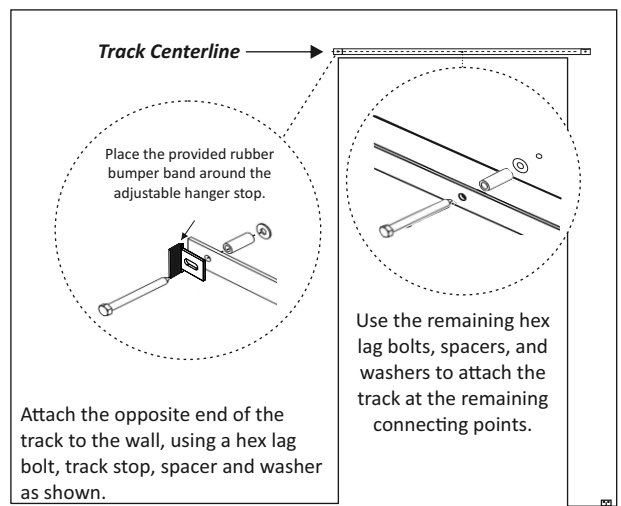
**IMPORTANT: The fixed pivot side of the track should be installed a minimum of 5" past the opening for the door stack.**



**STEP 9**



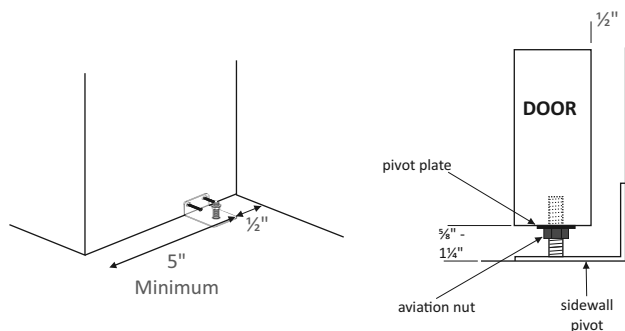
**STEP 10**



**STEP 11**

Using the provided sidewall pivot screws, attach the sidewall pivot at the base of the wall as shown.

The outside edge of the pivot should align with the end of the track.



**Note: An aviation nut and washer are provided for adjustability.**

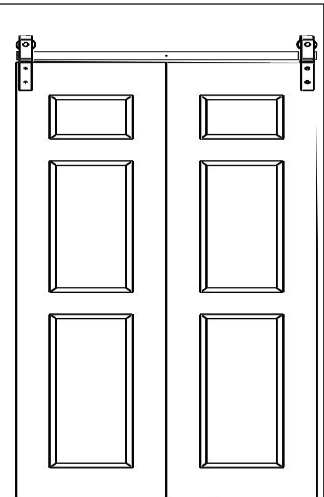
**STEP 12**

Before hanging the door, the anti-jump bracket should be turned sideways.

To hang the door, lift and place the door on the pivot and then place the rollers on the track. On the fixed-pivot side, the hanger should sit in the fixed hanger stop.

Use the adjustability in the floor pivot to ensure both hangers are resting nicely on the track, then rotate the anti-jump block so that it is hanging vertically above the hanger, and tighten the kepinut on the back of the track.

Use the adjustability in the stops to apply slight pressure to the hangers. This will ensure the door remains closed.



Goldberg Brothers barn door track and hardware sets come with a one-year manufacturer's warranty for defective parts under normal installation and use. Warranty is subject to repair or replacement of defective components at manufacturer's discretion and does not include installation costs.

Goldberg Brothers does not warrant the loss of finish at points where roller is in contact with track. Goldberg Brothers barn door hardware is sold as a rustic finished hardware and Goldberg Brothers does not warrant the imperfections seen through the finish in the steel parts. It is part of the look.

With the exception of our stainless steel products, Goldberg Brothers does not warrant any products installed and used outdoors or where they are exposed to weather, running water or water condensation. Under these conditions, rust and other damage will naturally occur.

This warranty does not include loss of defects caused by elements outside the control of Goldberg Brothers, such as natural disasters, weather, fire, water leakage, abuse, improper installation, or anything else deemed out of the control of Goldberg Brothers.



Goldberg Brothers, Inc.  
10488 W Centennial Rd, Suite 100  
Littleton, CO 80127  
(303) 321-1099