

GOLDBERG BROTHERS BARN DOOR HARDWARE

Standard Series Top Mount hardware set - Installation Instructions

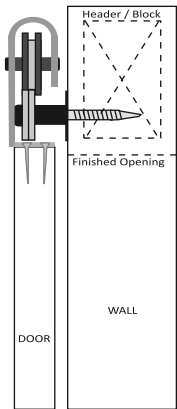
60010H-*

These instructions also apply to Flattop top mount hardware set: 60010HFT-*

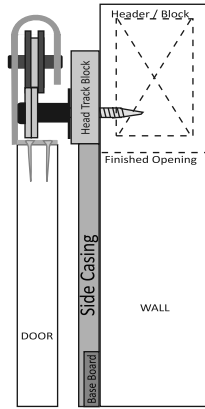
Included Hardware

- | | | | | | |
|-----------------------------|--------------------|-------------------|----------------------------|--------------|-------------------------|
| Top mount hangers (2) | T-guide (1) | Washers (6) | Anti-jump blocks (2) | Spacers (6) | Track stops (2) |
| Top mount hanger screws (8) | T-guide screws (2) | Hex lag bolts (6) | Anti-jump block screws (4) | Felt Pad (1) | Rubber bumper bands (2) |

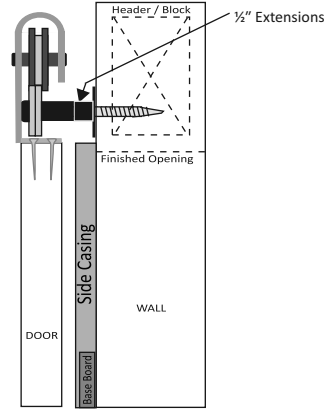
Basic Installation Layouts



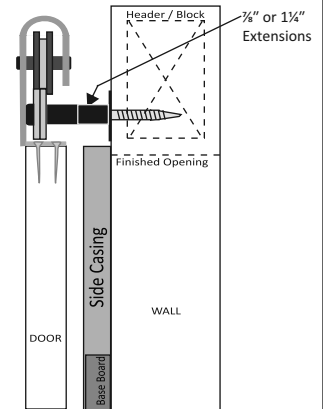
Standard hardware set installed with no casing, base, or other trim.



Standard hardware set installed on track trim board that is equal or thicker than casing, base, or other trim.



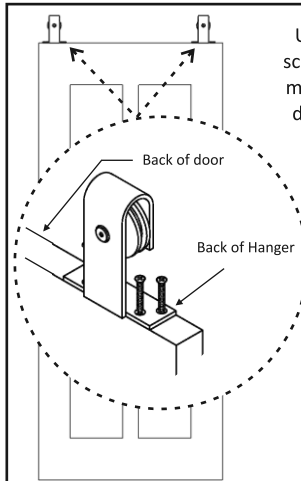
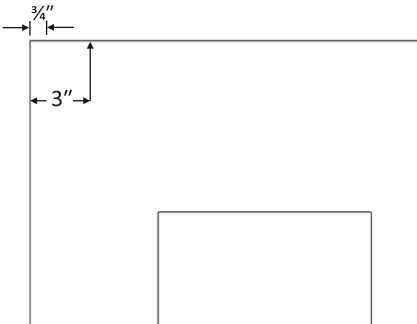
Standard hardware set + 1/2" extension kit installed where casing, base, or other trim is up to 1/2" thick.



Standard hardware set + 3/8" or 1/4" extension kit installed where casing, base, or other trim is greater than 1/2".

Door Prep and Hanger Installation

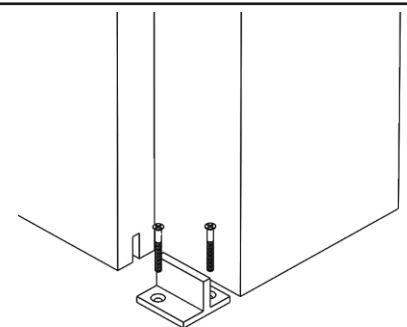
Place the top mount hangers 3/4" from both sides of the top half of the door. The centerline should be 3".



Using the top mount screws, attach the top mount hangers to the door as shown in the diagram.

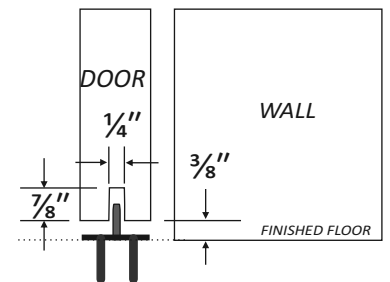
Note: Due to varying door thicknesses, make sure the back of the hanger aligns with the back of the door.

T-guide Installation



Using the T-guide screws, attach the T-guide to the floor by aligning the edge of the guide with the edge of the finished opening as shown above.

Plumb the door before fastening door guide to floor.



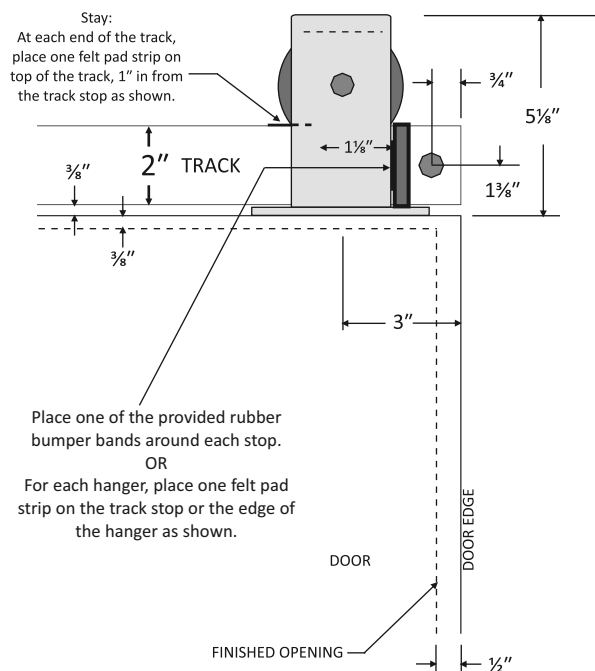
Limited Lifetime Warranty

Goldberg Brothers warrants the functionality of its barn door hardware sets and tracks with a limited lifetime manufacturer's warranty for defective parts under normal installation and use. Warranty is subject to repair or replacement of defective components at manufacturer's discretion and does not include installation costs.

This warranty does not apply to the cosmetic condition of any products or components. Goldberg Brothers barn door hardware is sold as a rustic finished hardware and may develop scratches or other signs of wear during manufacturing or normal installation and use. Further, Goldberg Brothers does not warrant against any cosmetic imperfections in the steel parts that may be seen through the finish.

Certain accessories including but not limited to felt strips, rubber bumper bands, and Soft Stop motion buffer mechanisms have finite expected lifetimes due to wear and loss of tension or resilience during normal use over an extended period. Except for manufacturing defects that become apparent within 1 year of purchase, these accessories are not covered under this limited lifetime warranty. Replacement accessories may be purchased as needed from Goldberg Brothers retailers. Except for stainless steel components, Goldberg Brothers barn door hardware products are not warranted against rust. Some rusting is possible on any raw steel or powder coated steel hardware installed outdoors or anywhere else that it may be exposed to high humidity, rain, snow, or running water.

This warranty does not include loss or defects caused by elements outside the control of Goldberg Brothers, Inc., such as natural disasters, weather, fire, water leakage, abuse, improper installation, or anything else deemed out of the control of Goldberg Brothers, Inc.



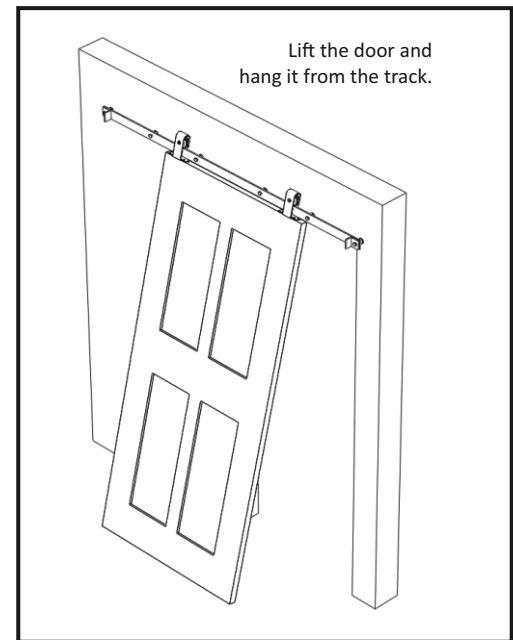
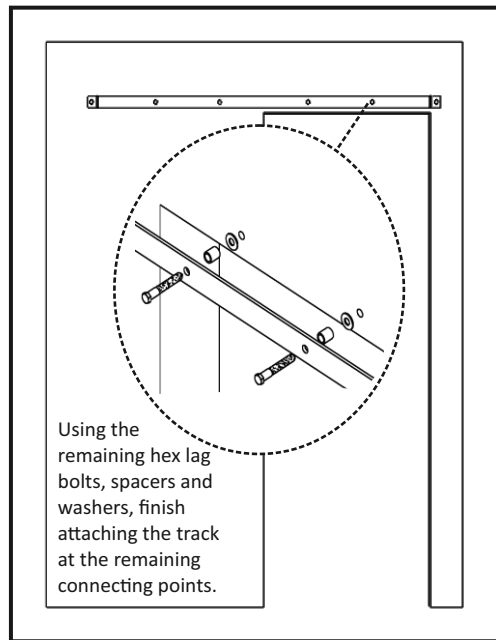
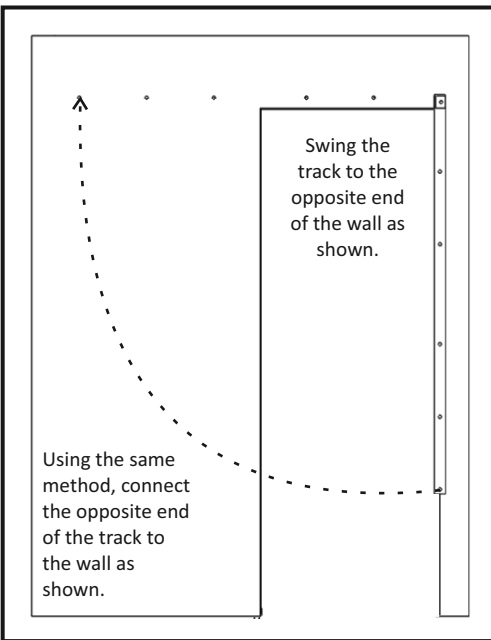
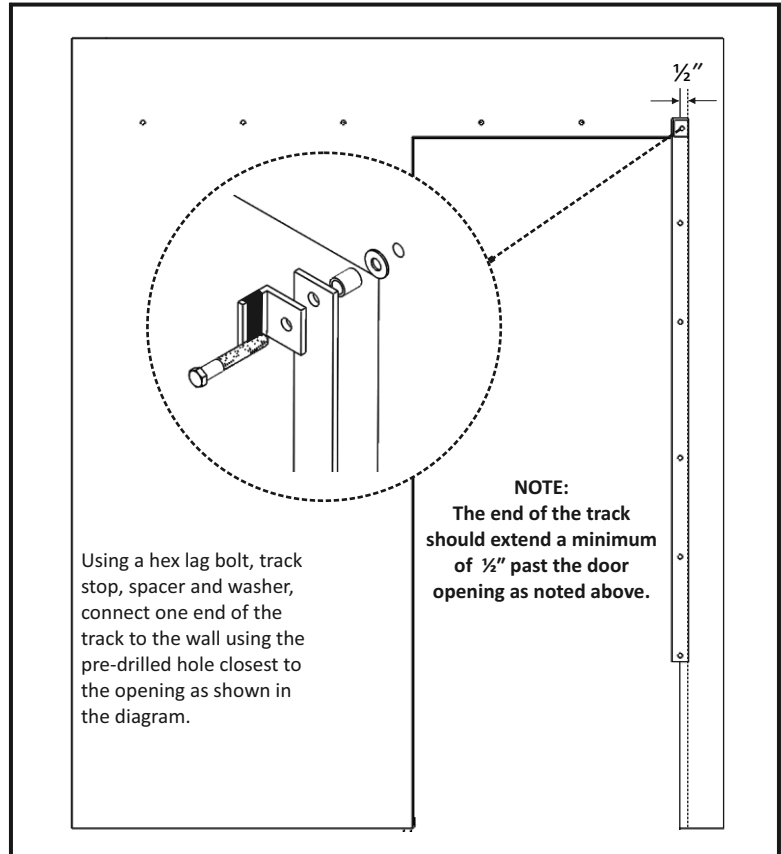
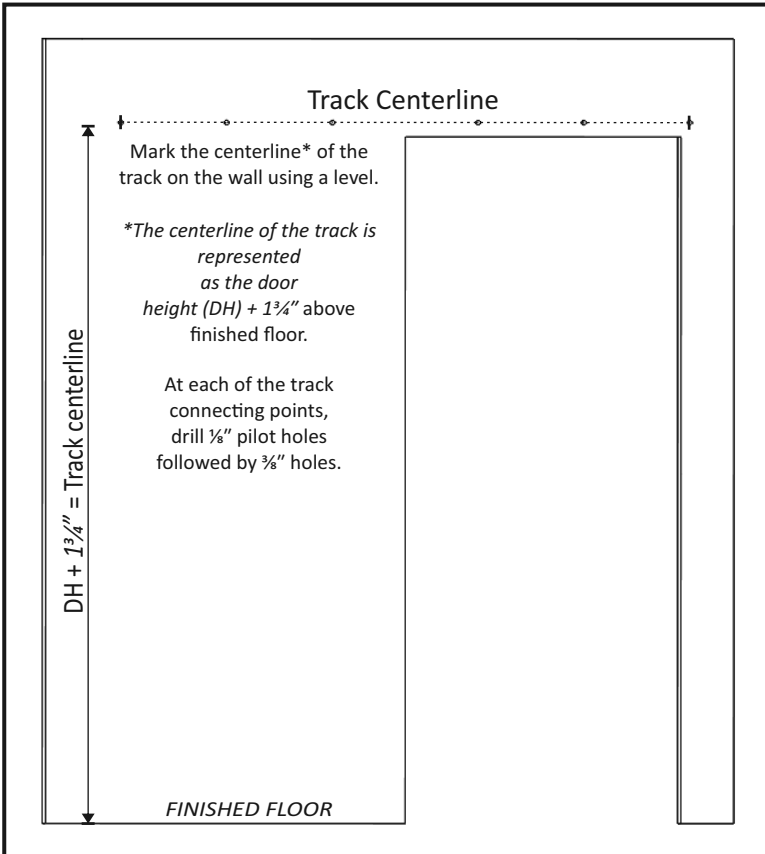
Stay:
At each end of the track, place one felt pad strip on top of the track, 1" in from the track stop as shown.

Place one of the provided rubber bumper bands around each stop.
OR
For each hanger, place one felt pad strip on the track stop or the edge of the hanger as shown.

In the closed position, the door should overlap the wall a minimum of 3/8" at the top and a minimum of 1/2" on both sides.

The edge of the door should align with the end of the track.

Track Installation



Optional Accessories

Track Extension Kits
Includes 6 lag bolts and 6 spacers

| | 1/2" extension | 3/8" extension | 1/4" extension |
|-------------|----------------|-----------------|------------------|
| 1 3/8" door | Part #60013E-* | Part #60013EX-* | Part #60013EXX-* |
| 1 3/4" door | Part #60014E-* | Part #60014EX-* | Part #60014EXX-* |
| 2 1/4" door | Part #60015E-* | Part #60015EX-* | Part #60015EXX-* |

Track Connecting Plate
1 each
Part #6001C-*

Door U-guide
1 set
Includes 2 U-guides, 2 wood screws and 1 felt pad
Part #6001U-*

NOTE: For U-guide installation use the T-guide screws provided in the hardware set.

Sidewall guide bracket
1 each
Includes 1 bracket, 4 machine screws, 4 nuts, and 1 felt pad
Part #6001SW-*

NOTE: Use the provided T-guide screws for sidewall guide installation.

Soft Stop
1 set
Includes 2 Soft Stop mechanisms, 2 triggers, 4 wood screws
Part #6001SOFT11 (4'-7" track)
Part #6001SOFT17 (8'+ track)

Goldberg Brothers, Inc.
10488 W Centennial Rd, Suite 100
Littleton, CO 80127
(303) 321-1099

* Indicates that the related part is available in various colors.