

GOLDBERG BROTHERS, INC.

Standard Series Horseshoe Hanger - Installation Instructions

Horseshoe hangers (2)
Track stops (2)

T-guide (1)
T-guide screws (2)

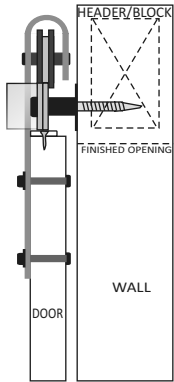
Carriage bolts (6)
Lock washers (6)

Washers (6)
Hex lag bolts (6)

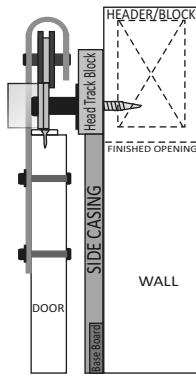
Anti-jump blocks (2)
Anti-jump block screws (2)

Spacers (6)
Hex nuts (6)

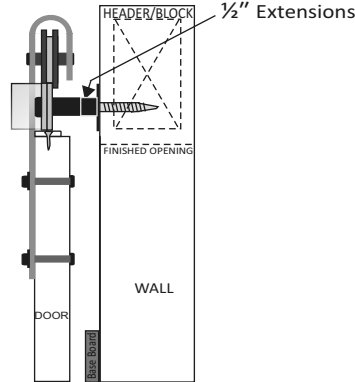
Basic Installation Layouts



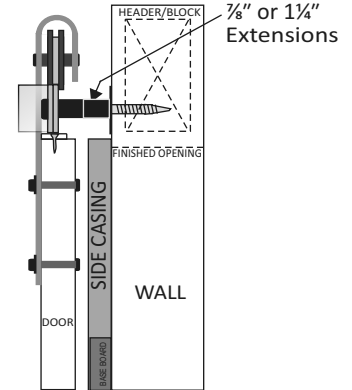
Standard Hardware set installed with no casing, base, or other trim.



Standard hardware set installed on track trim board that is equal to or thicker than casing, base, or other trim.



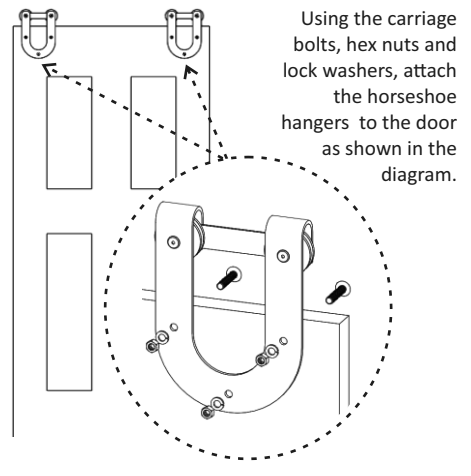
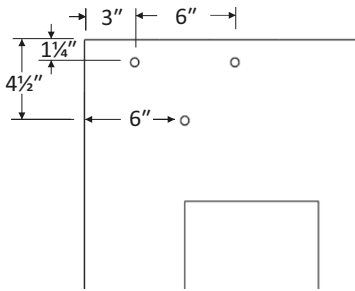
Standard hardware set + 1/2" extension kit installed where casing, base, or other trim is up to 1/2" thick.



Standard hardware set + 7/8" or 1 1/4" extension kit installed where casing, base, or other trim is greater than 1/2" thick.

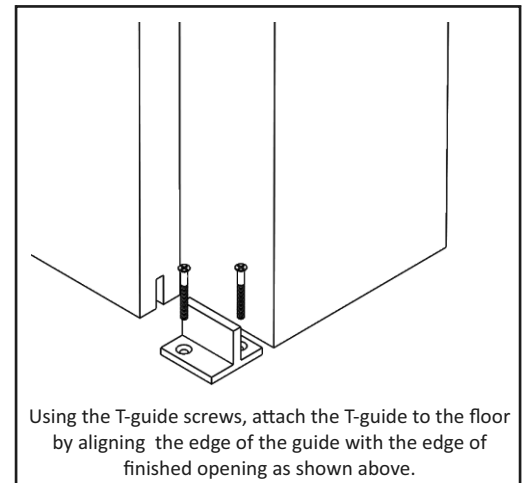
Door Prep and Hanger Installation

At 3" and 9" from both sides of the top half of the door, measure down 1 1/4" and drill 1/8" pilot holes followed by 3/8" holes. 6" from both sides of the top half of the door, measure down 4 1/2" and drill 1/8" pilot holes followed by 3/8" holes.

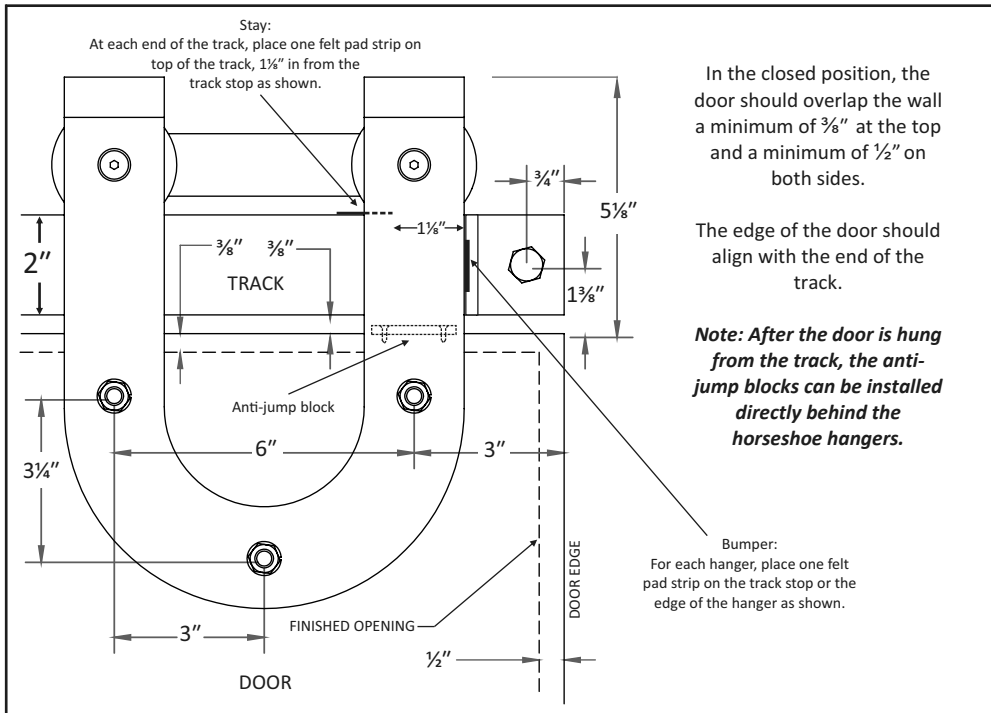


Using the carriage bolts, hex nuts and lock washers, attach the horseshoe hangers to the door as shown in the diagram.

T-guide Installation



Using the T-guide screws, attach the T-guide to the floor by aligning the edge of the guide with the edge of finished opening as shown above.

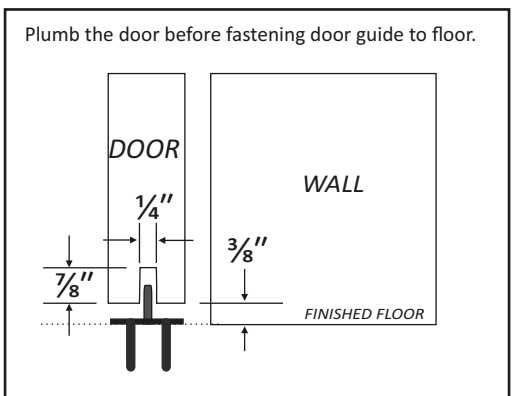


In the closed position, the door should overlap the wall a minimum of 3/8" at the top and a minimum of 1/2" on both sides.

The edge of the door should align with the end of the track.

Note: After the door is hung from the track, the anti-jump blocks can be installed directly behind the horseshoe hangers.

Bumper:
For each hanger, place one felt pad strip on the track stop or the edge of the hanger as shown.



Plumb the door before fastening door guide to floor.

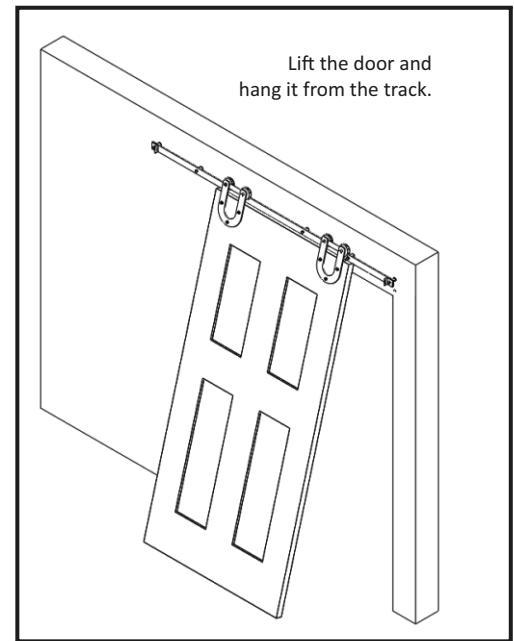
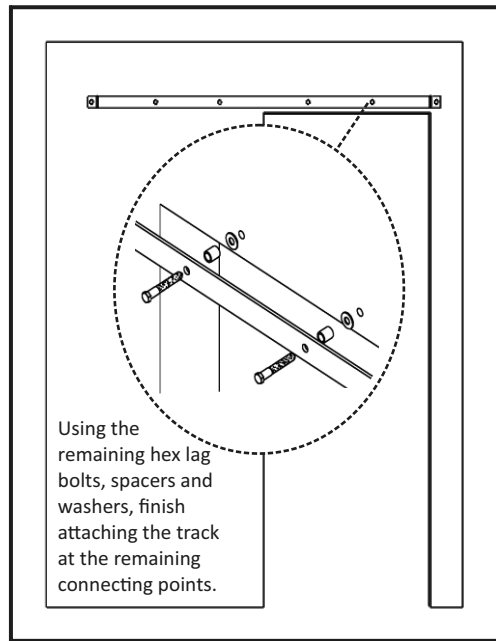
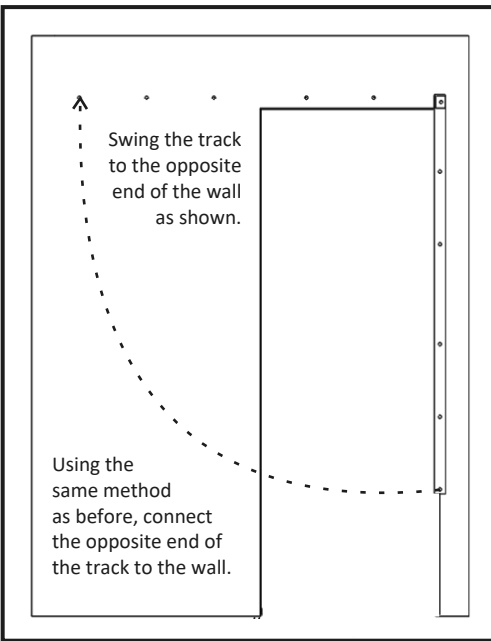
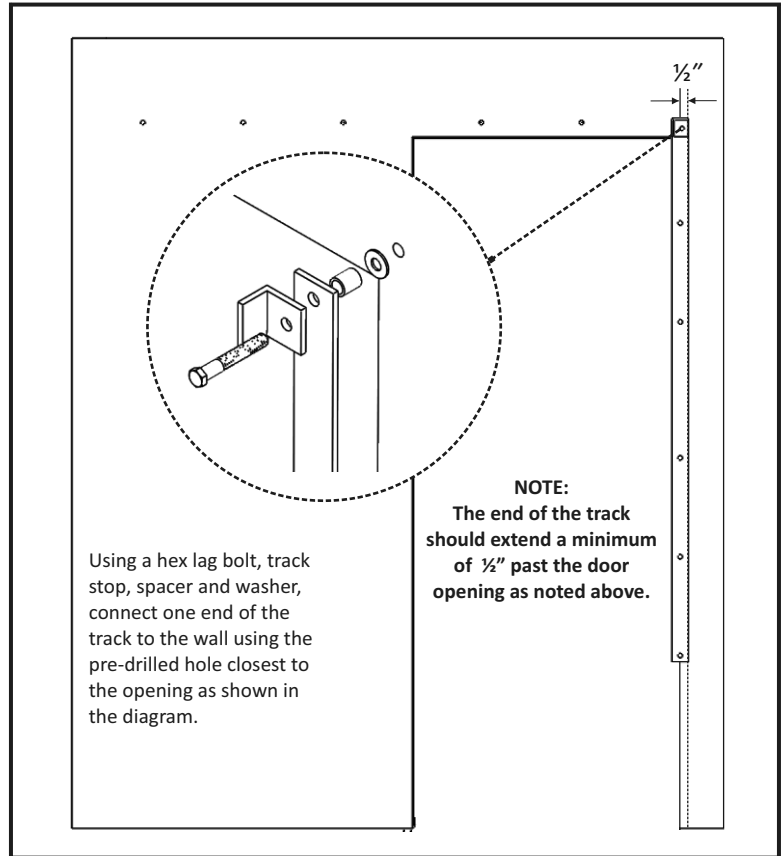
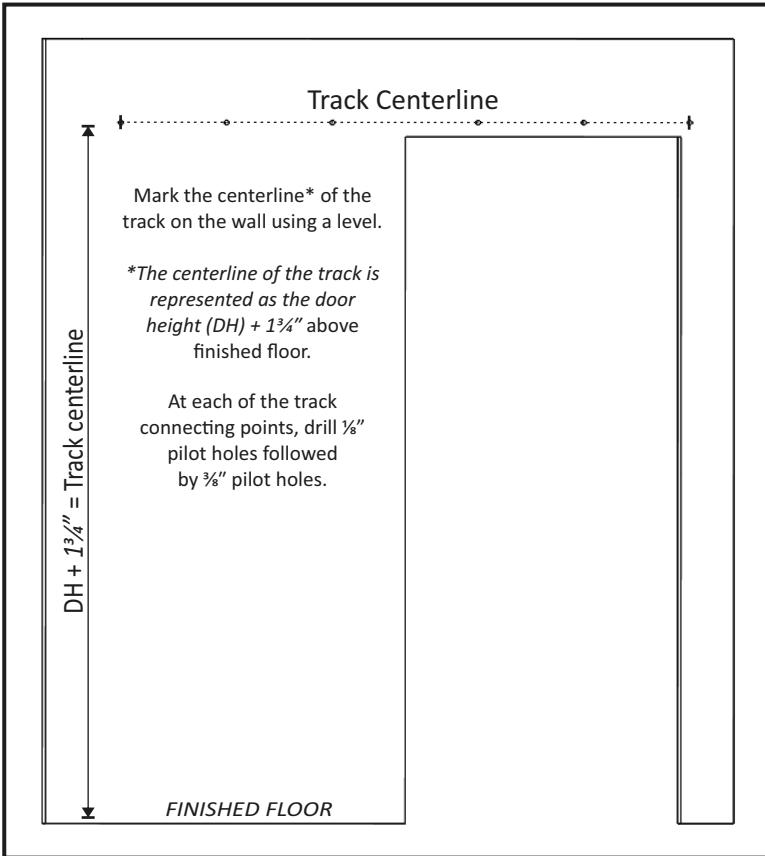
Goldberg Brothers barn door track and hardware sets come with a one-year manufacturer's warranty for defective parts under normal installation and use. Warranty is subject to repair or replacement of defective components at manufacturer's discretion and does not include installation costs.

Goldberg Brothers does not warrant the loss of finish at points where roller is in contact with track. Goldberg Barn Track is sold as a rustic finished hardware and Goldberg does not warrant the imperfections seen through the finish in the steel parts. It is part of the look.

With the exception of our stainless steel products, Goldberg Brothers does not warrant any products installed and used outdoors or where they are exposed to weather, running water or water condensation. Under these conditions, rust and other damage will naturally occur.

This warranty does not include loss or defects caused by elements outside the control of Goldberg Brothers, Inc., such as natural disasters, weather, fire, water leakage, abuse, improper installation, or anything else deemed out of the control of Goldberg Brothers, Inc.

Track Installation



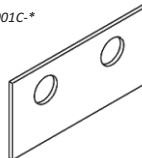
Optional Accessories

Wall Extension Bolts Set
Includes 6 lag bolts and 6 wall spacers



	1/2" Extension	3/4" Extension	1 1/4" Extension
1 1/2" Door	Part #60013E-*	Part #60013EX-*	Part #60013EXX-*
1 3/4" Door	Part #60014E-*	Part #60014EX-*	Part #60014EXX-*
2 1/4" Door	Part #60015E-*	Part #60015EX-*	Part #60015EXX-*

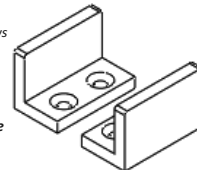
Track Connecting Plate
1 each
Part #6001C-*



Door Guide "U"

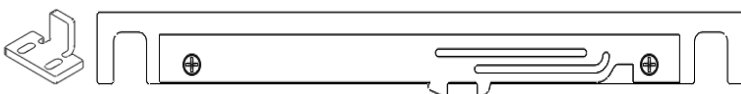
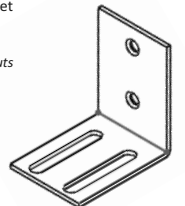
1 set
Includes 2 "U" guides, 2 wood screws and 1 felt pad
Part #6001U-*

NOTE: Use the provided T-guide wood screws for U-guide installation.



Sidewall Guide Bracket
1 each
Includes 1 bracket, 4 machine screws, 4 nuts and 1 felt pad
Part #6001SW-*

NOTE: Use the provided T-guide wood screws for sidewall guide installation.



Soft Stop
1 set
Includes 2 Soft Stop mechanisms, 2 triggers and 4 wood screws
Part #6001SOFT11 (4'-7" track)
Part #6001SOFT17 (8'+ track)



Goldberg Brothers, Inc.
10488 W Centennial Rd, Suite 100
Littleton, CO 80127
(303) 321-1099

* Indicates that the related part is available in various colors.