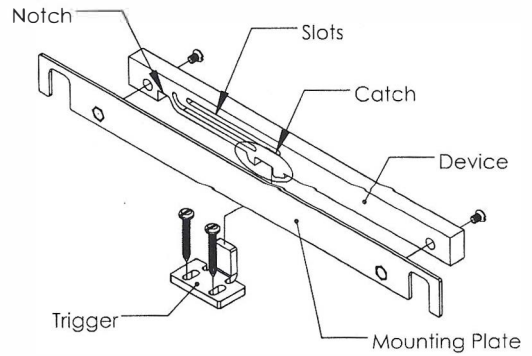
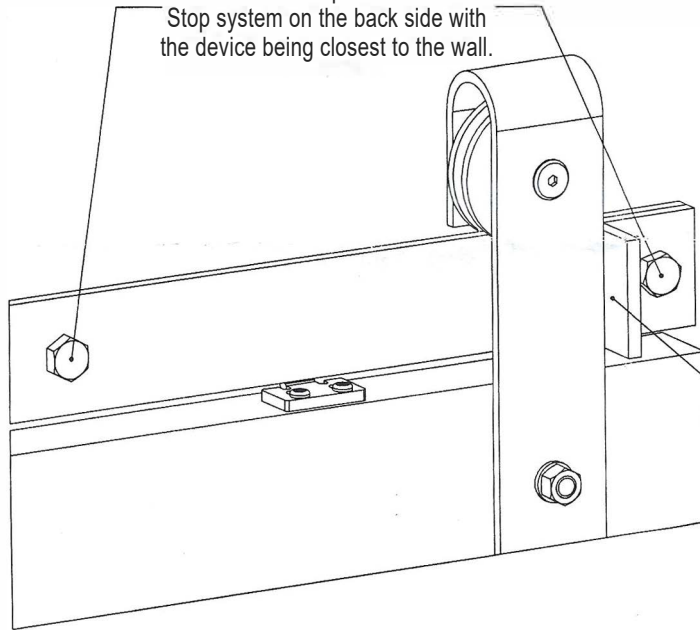


# Goldberg Brothers

## Soft Stop - Standard and MP Series

To install, loosen lag bolts on front side of track and position the Soft Stop system on the back side with the device being closest to the wall.



NOTE: Instructions apply to all standard 11 inch and 17 inch Soft Stop systems. Mounting plates with custom hole patterns greater than 11 inches can be manufactured upon request.

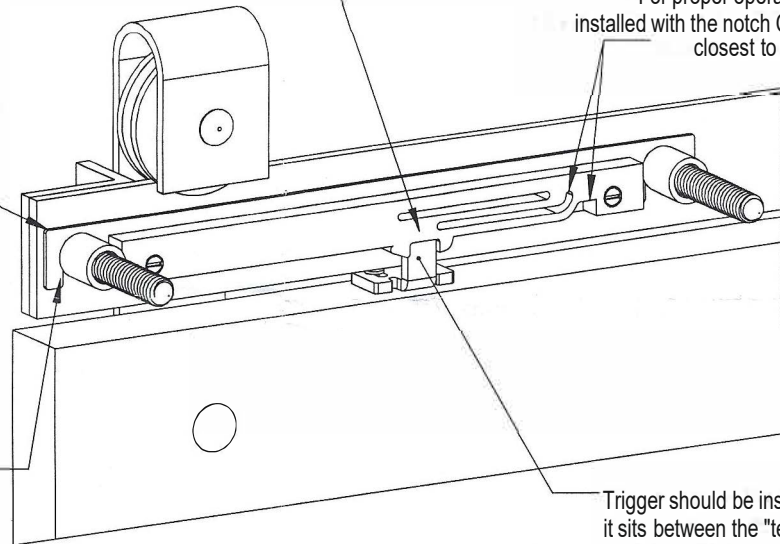
Before installing trigger, clamp hanger against stop to ensure proper alignment when door is in the open or closed position.

Catch should be positioned as shown for proper trigger installation.

For proper operation, device should be installed with the notch OR curved slot\*\* sitting closest to the center of the track.

Mounting plate should sit flush\* against the back side of the track, between the track and spacers.

If necessary, the mounting plate can be adjusted to sit higher, to ensure that the trigger fits properly without hitting or scraping the device.



Trigger should be installed so that it sits between the "teeth" of the catch on the device.

Goldberg Born Door Track and Hardware sets come with a one year manufacturer's warranty for defective parts under normal installation and use. Warranty is subject to repair or replacement of defective part(s) at manufacturer's discretion and does not include installation costs. Goldberg Brothers does not warrant the loss of finish at points where roller is in contact with track. Goldberg Born Track is sold as a rustic finished hardware and Goldberg does not warrant the imperfections seen through the finish in the steel parts, as it is part of the look.

\* Mounting Plate will sit a quarter inch off the back side of the track for Stainless systems.

\*\* Device will have either two slots OR one notch, based on the system and the weight of the door.

This document contains proprietary information of Goldberg Brothers, Inc., and its receipt of possession does not convey any rights to reproduce or disclose its contents, or to manufacture, use, or sell anything it may describe. Reproduction, disclosure, or use without prior written authorization of Goldberg Brothers, Inc. is strictly forbidden.

**GOLDBERG BROTHERS, INC.**  
 Denver, CO  
 303-321-1099