

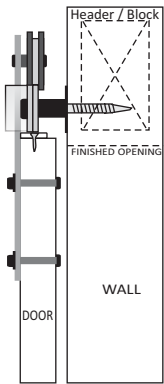
GOLDBERG BROTHERS, INC.

MP Series Straight Strap - Installation Instructions

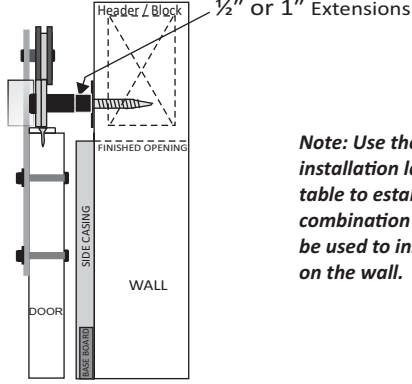
Included Hardware

- Straight strap hangers (2)
- Track stops (2)
- Felt pads (2)
- T-guide (1)
- T-guide screws (2)
- 1³/₈" Carriage bolts (4)
- 1³/₈" Carriage bolts (4)
- Washers (6)
- Lock washers (4)
- Anti-jump blocks (2)
- Anti-jump block screws (2)
- 1/2" Spacers (12)
- 1" Spacers (6)
- Hex lag bolts (6)
- Hex nuts (4)

Basic Installation Layouts



Standard Hardware Pack installed with no casing, base, or other trim.



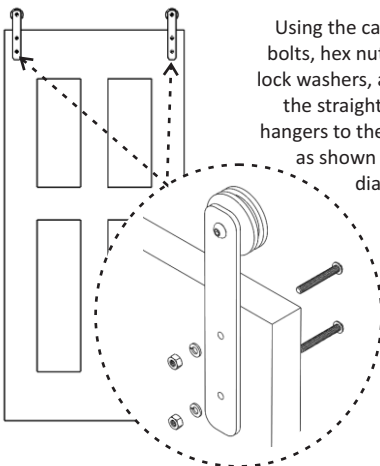
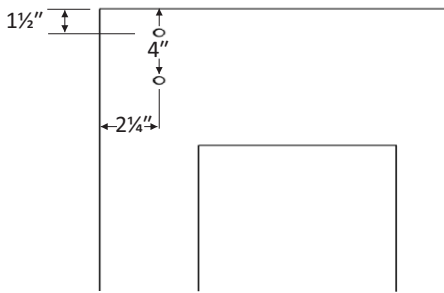
Standard Hardware Pack + 1/2" or 1" Extension Kit installed where casing, base, or other trim is 1/2" thick or greater.

Note: Use the provided installation layouts and table to establish what combination of spacers will be used to install the track on the wall.

Door Thickness	Extension	Spacer(s)
1 ³ / ₈ "	-	1"
1 ³ / ₈ "	1/2"	1" + 1/2"
1 ³ / ₈ "	1"	1" + 1/2" + 1/2"
1 ³ / ₄ "	-	1" + 1/2"
1 ³ / ₄ "	1/2"	1" + 1/2" + 1/2"

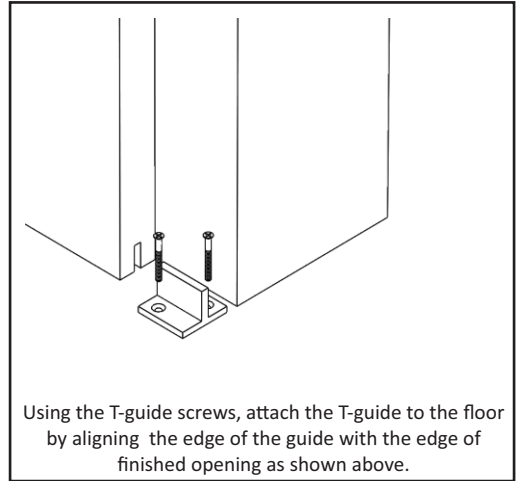
Door Prep and Hanger Installation

2 1/4" from both sides of the top half of the door, measure down 1 1/2" and 4" and drill 1/8" pilot holes followed by 3/16" pilot holes.

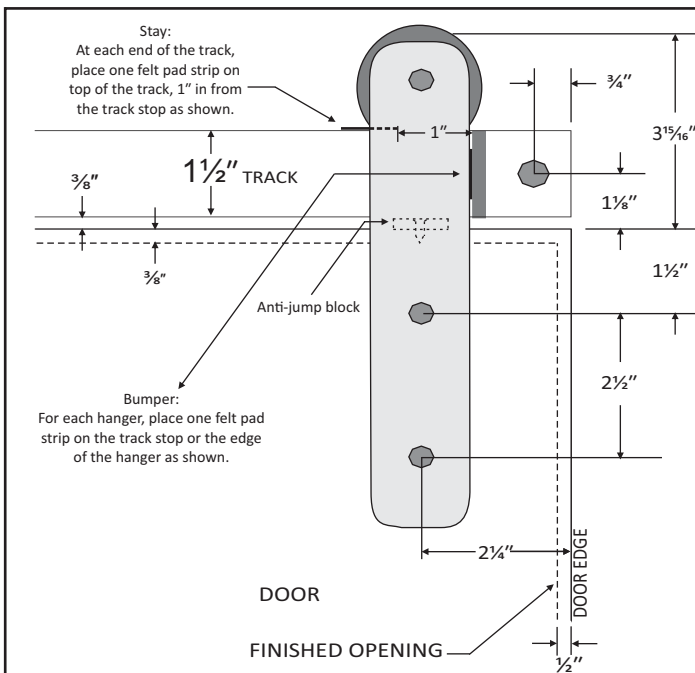


Using the carriage bolts, hex nuts and lock washers, attach the straight strap hangers to the door as shown in the diagram.

T-guide Installation



Using the T-guide screws, attach the T-guide to the floor by aligning the edge of the guide with the edge of finished opening as shown above.



Stay:
At each end of the track, place one felt pad strip on top of the track, 1" in from the track stop as shown.

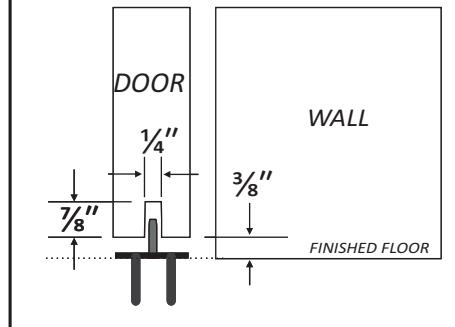
Bumper:
For each hanger, place one felt pad strip on the track stop or the edge of the hanger as shown.

In the closed position, the door should overlap the wall a minimum of 3/8" at the top and a minimum of 1/2" on both sides.

The edge of the door should align with the end of the track.

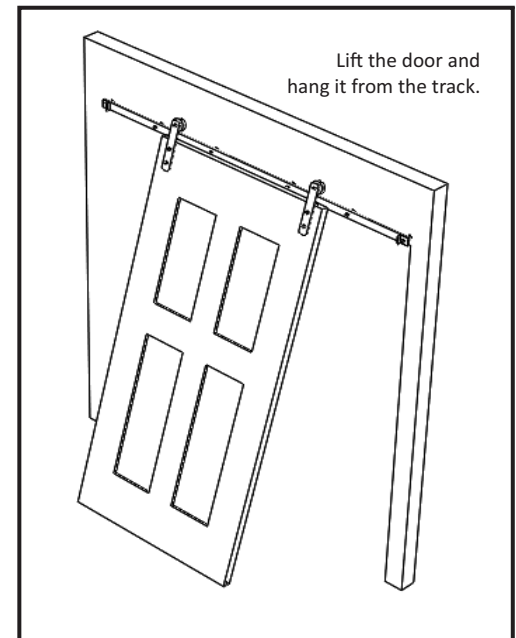
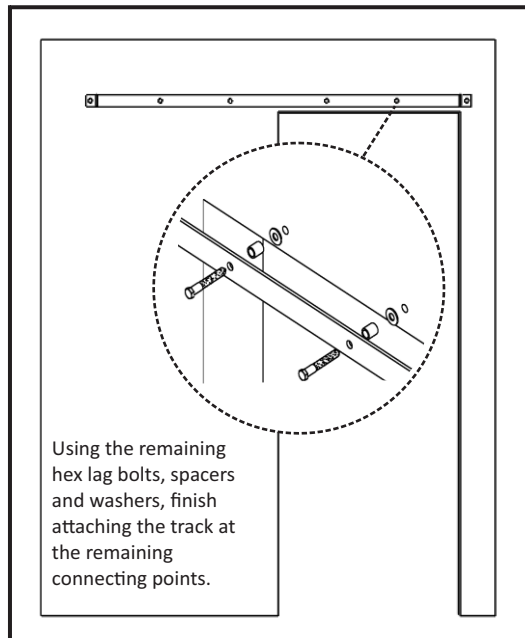
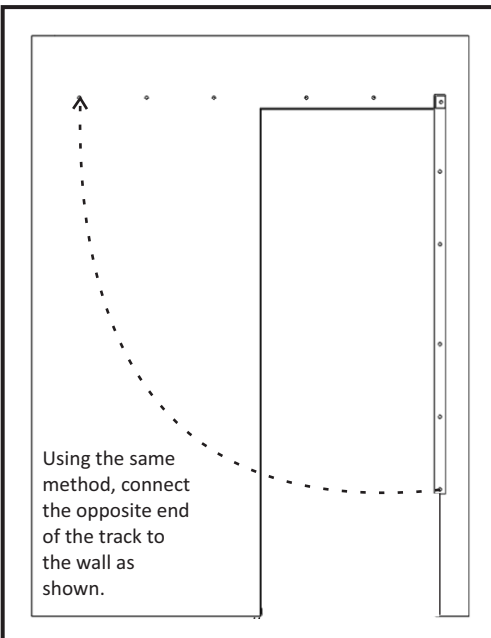
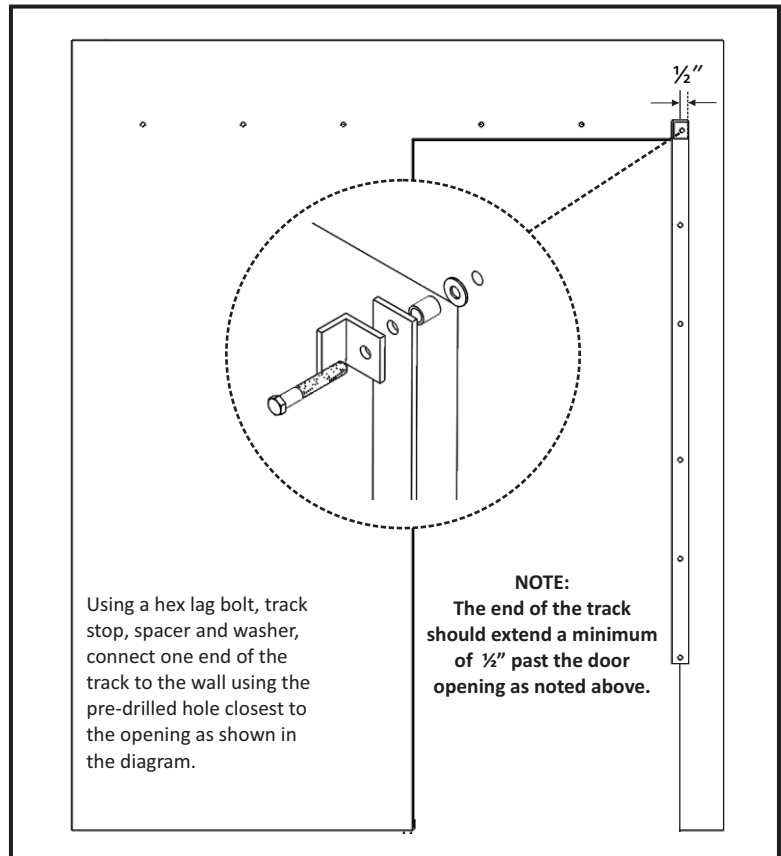
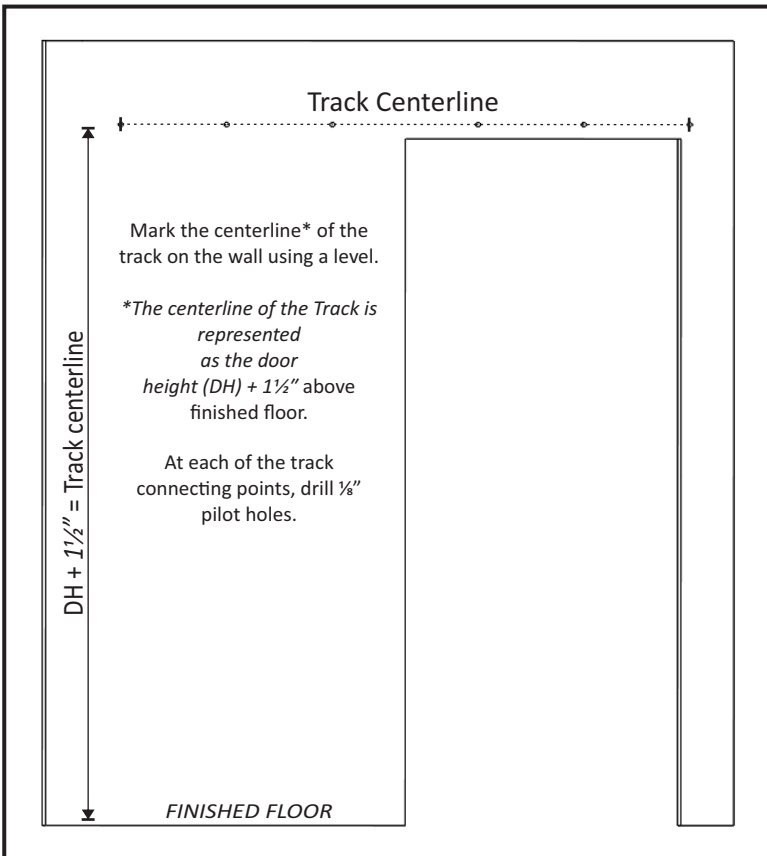
Note: After the door is hung from the track, the anti-jump blocks can be installed directly behind the straight strap hanger.

Plumb the door before fastening door guide to floor.



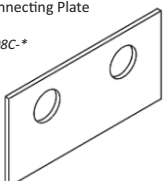
© 2008 Goldberg Brothers, Inc. All rights reserved. This document is the property of Goldberg Brothers, Inc. and is to be used only for the installation of the MP Series Straight Strap. No part of this document may be reproduced, stored in a retrieval system, or transmitted, in any form or by any means, electronic, mechanical, photocopying, recording, or by any information storage and retrieval system, without the prior written permission of Goldberg Brothers, Inc. For more information, contact Goldberg Brothers, Inc. at (800) 877-4663. Goldberg Brothers, Inc. is not responsible for any damage or injury resulting from the use of this product. The user assumes all liability for any damage or injury.

Track Installation



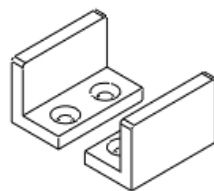
Optional Accessories

Track Connecting Plate
1 each
Part #6008C.*



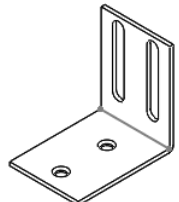
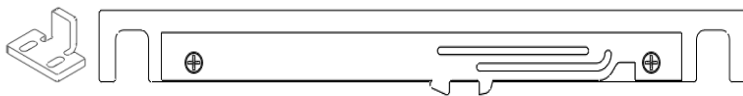
Door Guide "U"
1 set
Includes 2 "U" guides, 2 wood screws and 1 felt pad
Part #6001U.*

NOTE: Use the provided T-guide wood screws for U-guide installation.



Side Wall Guide Bracket
1 each
Includes 1 bracket, 4 machine screws, 4 nuts and 1 felt pad
Part #6001SW.*

NOTE: Use the provided T-guide wood screws for side wall guide installation.

MP Soft Stop
1 set
Includes 2 Soft Stop mechanisms, 2 triggers and 4 wood screws
Part #6008SOFT11 (4'-7" track)
Part #6008SOFT17 (8'+ track)



Goldberg Brothers, Inc.
10488 W Cennetial Rd, Suite 100
Littleton, CO 80127
(303) 321-1099

* Indicates that the related part is available in various colors.