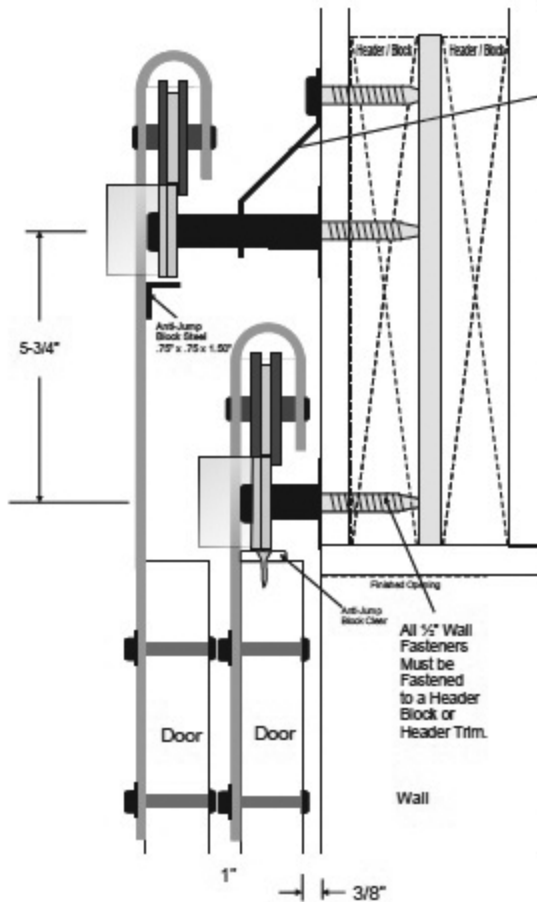


**Non-Soffit Install
Optional Bypass Spacer Kit**



Z-Bracket support with lag bolts at all track support positions.

Bypass Spacer Kit (6-Sets/Kit)
 Part # 60013MX-(color)
 For 1-3/8" Door
 Part # 60014MX-(color)
 For 1-3/4" Door
 Part # 60015MX-(color)
 For 2-1/4" Door



Includes 12-Lag Bolts,
 Wall Spacers,
 Fender Washers, and
 Track Support Z-Brackets.

Examples: How To Order Bypass System

Two Door Bypass Set

- | | | |
|--------------|-----------------|--|
| Back Door - | 1 ea. - 60014H | Std Hdw Set |
| | 1 ea. - 6001T6 | 6' Track |
| Front Door - | 1 ea. - 60014HX | Bypass Hdw Set |
| | 1 ea. - 6001T4 | 4' Track <small>Front door track length = 1.5 X the length of the back door track.</small> |
| | 1 ea. - 6001T5 | 5' Track |
| | 1 ea. - 6001C | Connecting Plate |
| | 1 ea. - 60014M | Wall Mounting Hdw |
| Optional - | 2 ea. - 60014MX | Bypass Spacer Kit (no soffit) |

Four Door Bypass Set

- | | | |
|---------------|-----------------|--|
| Back Doors - | 2 ea. - 60014H | Std Hdw Set |
| | 2 ea. - 6001T6 | 6' Track |
| Front Doors - | 2 ea. - 60014HX | Bypass Hdw Set |
| | 2 ea. - 6001T4 | 4' Track <small>Front door track length = 1.5 X the length of the back door track.</small> |
| | 2 ea. - 6001T5 | 5' Track |
| | 2 ea. - 6001C | Connecting Plate |
| | 2 ea. - 60014M | Wall Mounting Hdw |
| Optional - | 4 ea. - 60014MX | Bypass Spacer Kit (no soffit) |

Samples based on 1-3/4" x 3'0" doors with 70-1/2" opening on two door and 142" opening on four door samples.
 Adjust order for door thickness and track length then add color code.