

GOLDBERG BROTHERS, INC.

Standard Series Bypass - Installation Instructions

Included Hardware

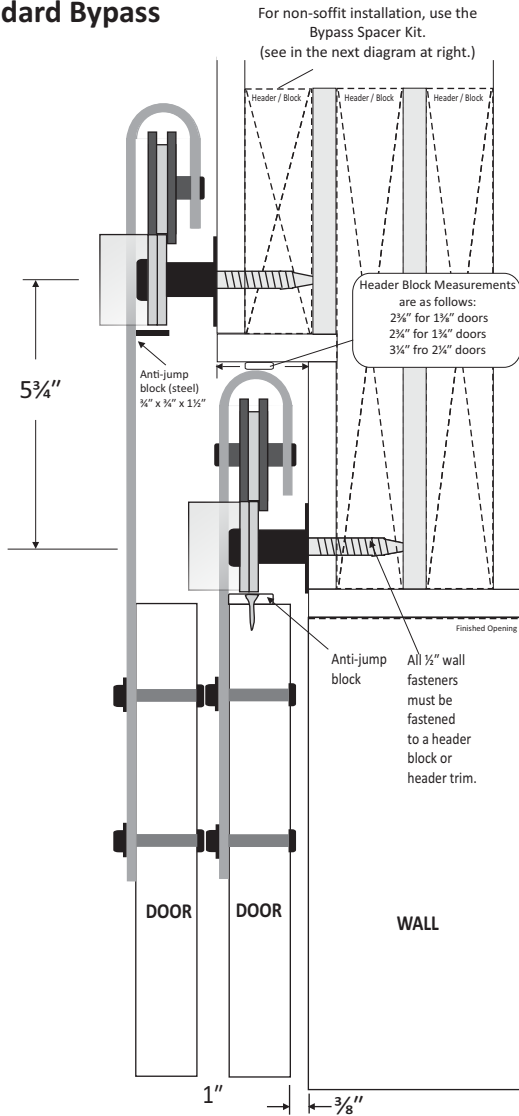
Straight strap bypass hangers (2)	J-guide (1)	Carriage bolts (4)	Washers (6)	Felt Pad (1)	Spacers (6)
Track stops (2)	J-guide screws (2)	Lock washers (4)	Hex lag bolts (6)	Hex nuts (4)	Grab/push stops (3)

The following instructions detail various install scenarios for the standard Goldberg Brothers, Inc. Standard Series Bypass System. The Standard Series straight strap installation should be completed first.

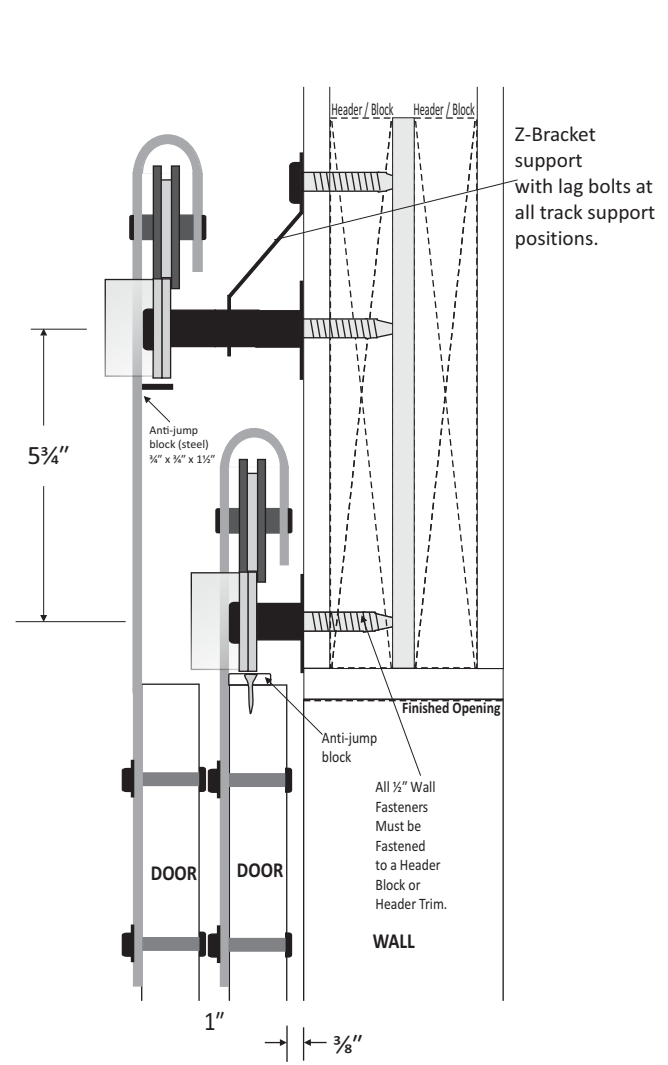
Important:

The center line of the back track's mounting bolts = $1\frac{3}{4}$ " + Door Height above finished floor.
The center line of the front track's mounting bolts = $5\frac{3}{4}$ " higher than back track.

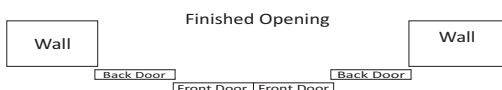
Standard Bypass



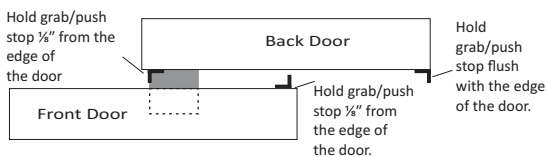
Optional Bypass Spacer Kit



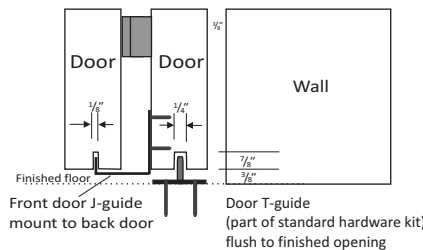
Bypass layout top view



Bypass push pull installation



Bypass push pull installation front view

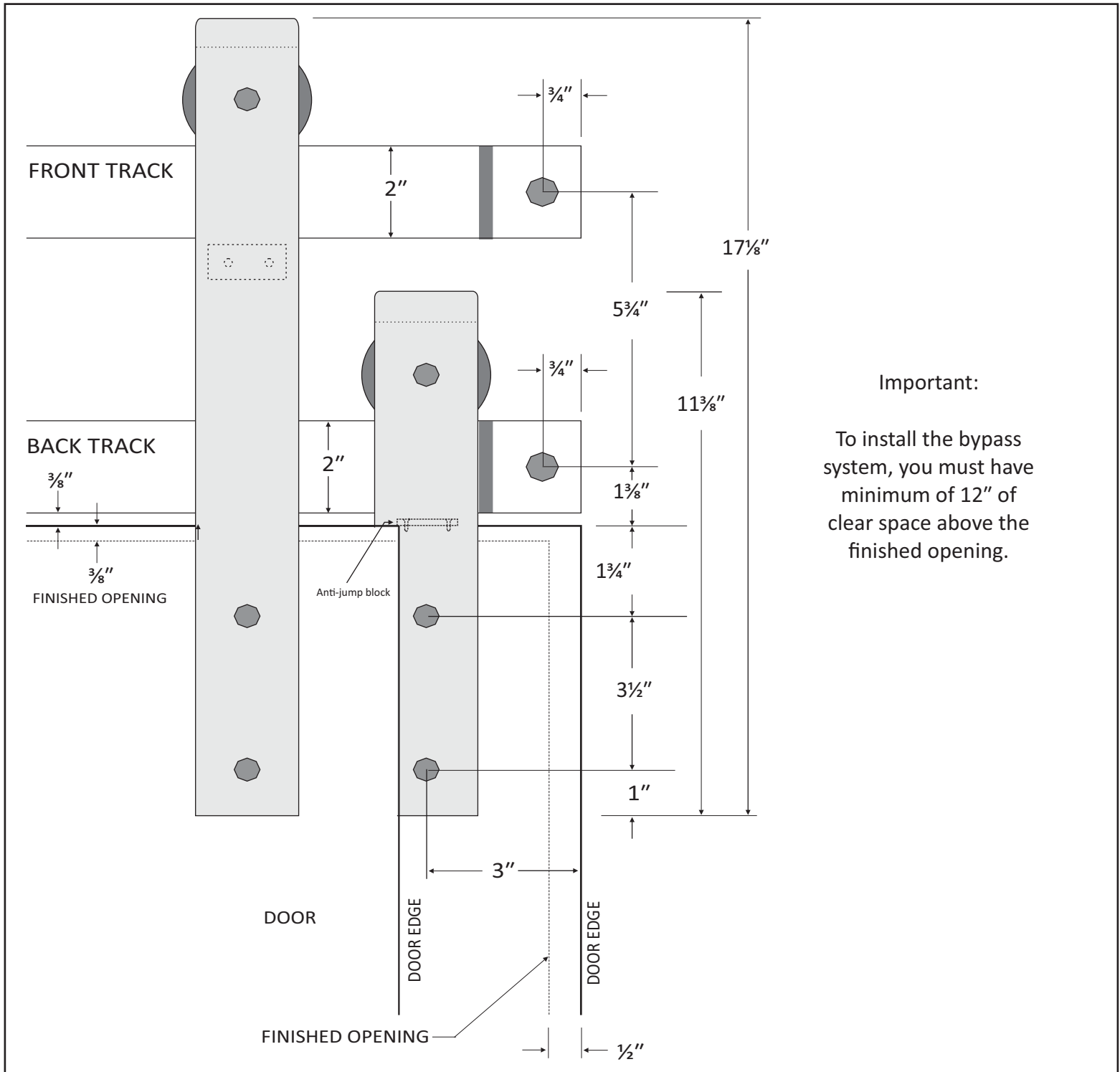


Goldberg Brothers barn door track and hardware sets come with a one-year manufacturer's warranty for defective parts under normal installation and use. Warranty is subject to repair or replacement of defective components at manufacturer's discretion and does not include installation costs.

Goldberg Brothers does not warrant the loss of finish at points where roller is in contact with track. Goldberg Barn Track is sold as a rustic finished hardware and Goldberg does not warrant the imperfections seen through the finish in the steel parts. It is part of the look.

With the exception of our stainless steel products, Goldberg Brothers does not warrant any products installed and used outdoors or where they are exposed to weather, running water or water condensation. Under these conditions, rust and other damage will naturally occur.

This warranty does not include loss of defects caused by elements outside the control of Goldberg Brothers, Inc., such as natural disasters, weather, fire, water leakage, abuse, improper installation, or anything else deemed out of the control of Goldberg Brothers, Inc.



Important:

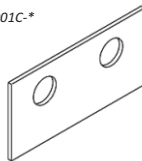
To install the bypass system, you must have minimum of 12" of clear space above the finished opening.

Optional Accessories

Wall Extension Bolts Set
Includes 6 lag bolts and 6 wall spacers

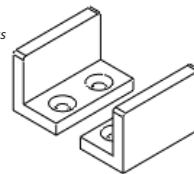
	1 1/2" Door	1 3/4" Door	2 1/4" Door
1/4" Extension	Part #60013E-*	Part #60013EX-*	Part #60013EXX-*
3/8" Extension	Part #60014E-*	Part #60014EX-*	Part #60014EXX-*
1 1/2" Extension	Part #60015E-*	Part #60015EX-*	Part #60015EXX-*

Track Connecting Plate
1 each
Part #6001C-*



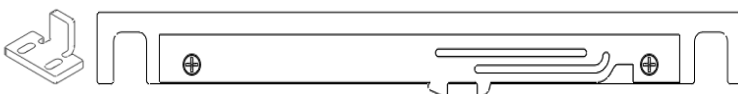
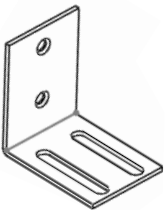
Door Guide "U"
1 set
Includes 2 "U" guides, 2 wood screws and 1 felt pad
Part #6001U-*

NOTE: Use the provided T-guide screws for U-guide installation



Sidewall Guide Bracket
1 each
Includes 1 bracket, 4 machine screws, 4 nuts and 1 felt pad
Part #60015W-*

NOTE: Use the provided T-guide screws for sidewall guide installation.



Soft Stop
1 set
Includes 2 Soft Stop mechanisms, 2 triggers and 4 wood screws
Part #6001SOFT11 (4'-7" track)
Part #6001SOFT17 (8'+ track)



Goldberg Brothers, Inc.
10488 W Centennial Rd, Suite 100
Littleton, CO 80127
(303) 321-1099

* Indicates that the related part is available in various colors